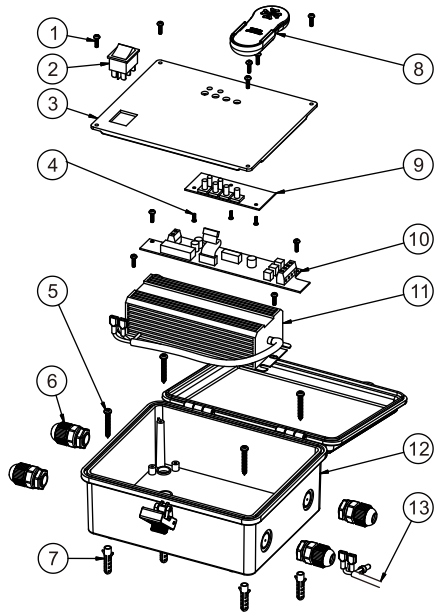


PART LIST
零部件清单



项目	部件编号	产品资料/说明	中文	数量
Item No.	Part No.	Product Description	Chinese	QTY
1	03011007	M4×12 Screws	M4×12螺丝	8
2	04014054	Lighted Switch	带灯按钮开关	1
3	01360015	Panel Board	控制箱隔板	1
4	03011196	M3×6 Screws	M3×6螺丝	5
5	03011023	M5×35 Screws	M5×35螺丝	4
6	04014013	Cable Gland	电缆锁头	4
7	87013019	Plastic Fitting	膨胀胶粒	4
8	89480103	Remote control with Battery	遥控器连电池	1
9	04014094	Control Panel Cover	控制器面板	1
10	04014095	Control Panel	控制器主板	1
11	04012082	Transformer with Wiring Cap	变压器连接线帽	1
12	89480101	Control Box	控制箱	1
13	89480102	Cable with Wiring Cap	电缆线连接线帽	1

WATER DESCENT CONTROL BOX

七彩瀑布控制箱

Model: WTD-CB
Keep this manual safe for future reference
请保留您的说明书以备查阅

APPLICABLE FOR EMAUX WATER DESCENTS:
适用于意万仕七彩瀑布:
PB300-25(L)/PB600-25(L)/PB900-25(L)/PB1200-25(L)
PB300-150(L)/PB600-150(L)/PB900-150(L)/PB1200-150(L)
PB300-230(L)/PB600-230(L)/PB900-230(L)/PB1200-230(L)



Warning:
警告:

This electrical control box must be installed by a licensed or certified electrician or a qualified serviceman in accordance to the requirements of your government standard or local authorities. Improper installation will create electric hazards which could result in serious injury, death as well as damage to the property.
本电子控制箱必须由合格的电工或合格的维护人员安装，并按照合乎当地官方许可的法规安装，不适当的安装，会引起触电导致电子控制箱使用者或安装人员严重伤害及财物损失，甚至死亡。

CUT THE POWER BEFORE SERVICE AND MAINTAINANCE!
保养维修电子控制箱之前必须把连接电箱的电源切断!

INSTALLATION EXPLAIN

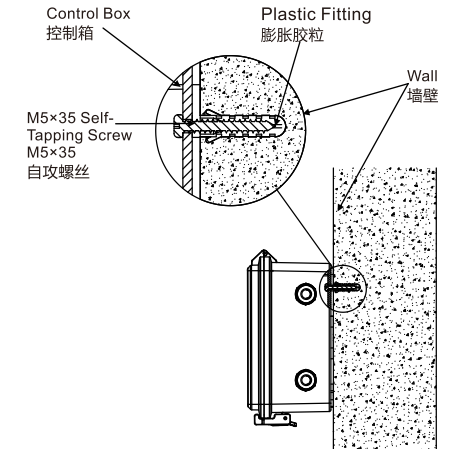
安装说明:

1. Remove the Panel from the Control Box, position the box to the desired fitting place and mark on the wall with the location of the drilled holes, then drill 4 holes of $\varnothing 8\text{mm}$ on the marked position and insert a plastic fitting, secure the box by fastening 4 screws of M5x35 to the plastic fittings(See diagram below).
 2. Feed the LED lights Cable through the cable gland(s) and connect the cable as shown in the Control Box Wiring Diagram. Reassemble the panel cover and secure the Panel by fastening 4 screws of M4x12.
 3. If multiple Water Descents are being installed, the pre-set holes on the side of the Control Box can be used.
1. 首先移开控制箱隔板，将控制箱置于墙上合适的高度并标明四角的安装孔位，然后在墙上标明的孔位开4个 $\varnothing 8\text{mm}$ 的孔。敲入膨胀胶粒后用4颗M5×35的自攻螺丝将控制箱固定在墙上（参照「控制箱安装图」）。
2. 将连接LED灯的电缆穿过电缆锁头，再按「控制箱接线图」将线接好。最后重新盖好控制箱隔板，并在控制箱隔板四角用4颗M4×12螺丝固定。
3. 若需要接多个瀑布，可先在控制箱侧壁增开孔位并接好电缆锁头。本控制箱还有两个易开孔可使用敲击法打开，并配有适用的电缆锁头。

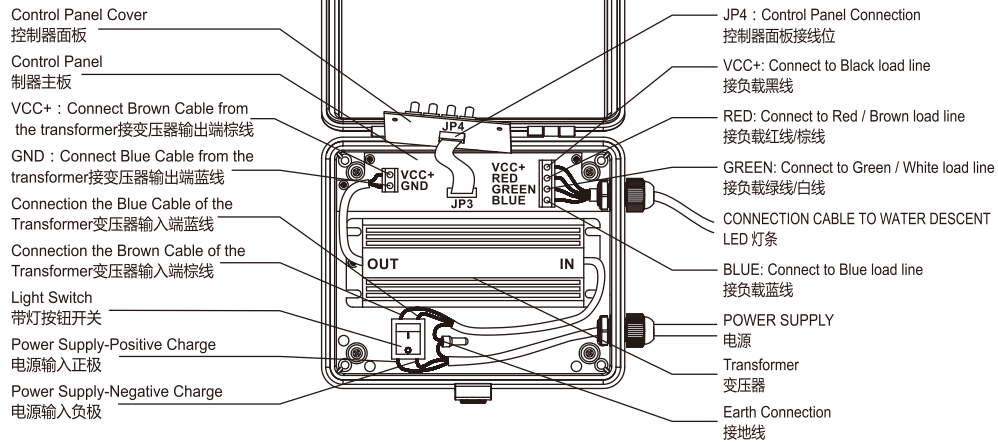
CONTROL BOX INSTALLATION DIAGRAM
控制箱安装图

SPECIFICATIONS
性能参数

Working Temperature 工作温度	-20~+40°C
Input 输入	AC 100-240V; 50/60Hz
Output 输出	DC 12V, 60W
Frequency RF 发射接收频率	433MHz



CONTROL BOX WIRING DIAGRAM
控制箱接线图



Warning: load of the control box should not exceed 60W.
警告: 单个控制箱负载总功率小于60W

CONTROLS INDEX 控制方法

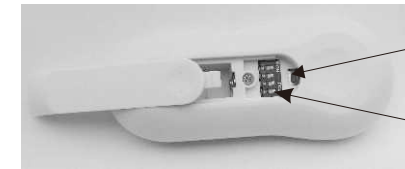
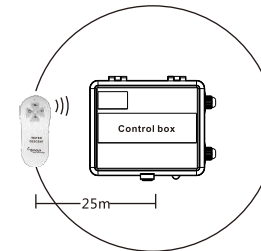
-  POWER ON/OFF 电源开关
-  START/PAUSE 开始/暂停
-  SWITCH TO NEXT PATTERN 下一个模式
-  SWITCH TO PREVIOUS PATTERN 上一个模式

PATTERN TABLE 模式表

No.	PATTERNS	REMARKS
序号	样式	备注
1	Static white 静态白色	
2	Static blue 静态蓝色	
3	Static green 静态绿色	
4	Static cyan 静态青色	
5	Static purple 静态紫色	
6	Static yellow 静态黄色	
7	Three-color change 三色跳变	Red, Green, Blue 红、绿、蓝
8	Seven-color change 七色跳变	White, Red, Yellow, Blue, Green, Cyan, Purple 白、红、黄、蓝、绿、青、紫
9	Seven-color gradual change (Fast) 七色渐变(快变)	White, Red, Yellow, Blue, Green, Cyan, Purple 白、红、黄、蓝、绿、青、紫
10	Seven-color gradual change (Slow) 七色渐变(慢变)	White, Red, Yellow, Blue, Green, Cyan, Purple 白、红、黄、蓝、绿、青、紫

Setting of the Remote Control 遥控器设置:

Operation distance for the remote control is 25m.
有效遥控距离25米。



Sync button
同步键

Frequency Setting
频率编码键

Each control box is associated with a remote control. To use a single remote to control a multiple number of control boxes, you would need to configure the Frequency at the back of the remote control. The Frequency of the Remote would then need to be synced with all the control boxes.
每个控制箱都配有一个遥控器。如果您想使用一个遥控器控制多个控制箱，您需要将遥控器背面的频率编码进行统一，然后同步所有的控制箱。

- Slide open the back of Remote Control
- Set the Frequency
- Turn on Control Box(es)
- Sync the Remote to the Control Box(es)
- Press the Sync Button until the lights on the Control Boxes turn on
- 滑开遥控器背面的电池盖
- 设置统一的频率编码
- 启动控制箱电源
- 将遥控器置于控制箱旁边
- 按下同步键，直到控制箱上的灯亮

If you have multiple control boxes and you want to use a remote control for a specific control box, you must set the Frequency on the remote control to a unique combination.
如果您有多套控制箱，想使用遥控器一对一的控制时，您必须将遥控器背面的频率编码设置成不同值。

- Slide open the back of Remote Control
- Set a unique Frequency on the Remote Control
- Turn on the Control Box associated with that particular Remote Control
- Sync the Remote to the Control Box
- Press the Sync Button until the lights on the Control Box turn on
- Once synced, turn off the control box and move to the next set of Control Box and Remote. Repeat above steps.
- 滑开遥控器背面的电池盖
- 遥控器上设置不同的频率编码
- 打开配对的控制箱电源
- 将遥控器置于需配对的控制箱旁边
- 按下同步键，直到控制箱上的灯亮
- 一旦同步，关闭此控制箱电源，进行下一组控制箱和遥控器配对。重复上述步骤。