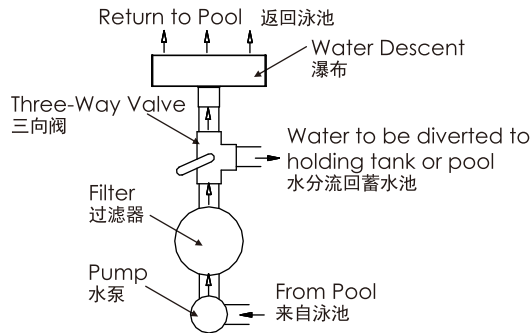
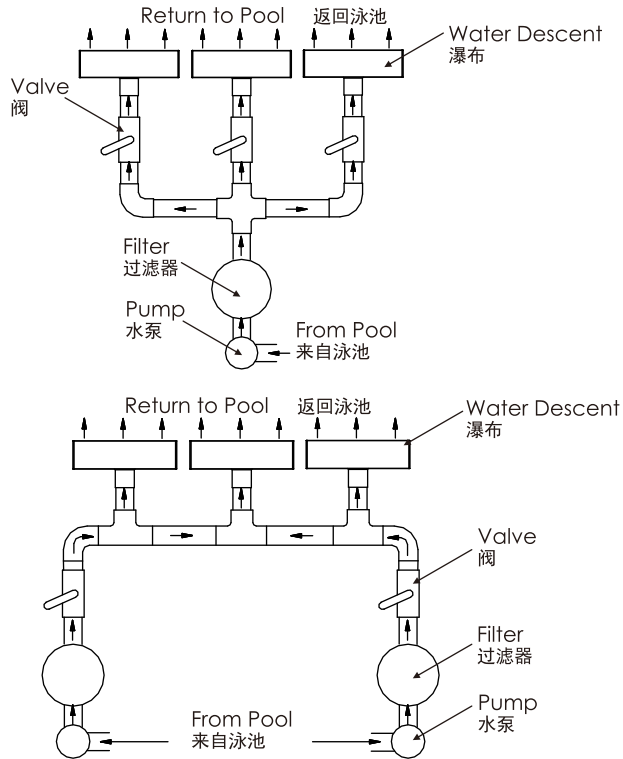


INSTALLATION FOR PIPING SINGLE UNIT WITH BALL VALVE 瀑布带阀门的安装



**MULTIPLE UNITS WITH BALL VALVE. (IT IS BEST TO VALVE EACH UNIT)
多个瀑布带阀门的安装(最好每个瀑布带一个阀)**



Warning: Only filtered water should be used with this product, otherwise clogging within the product may occur and cause leakage.
警告: 此产品所有水源需经过沙缸和其他过滤器过滤后方可使用, 否则容易堵塞产品内部的分水系统!

WATER DESCENT 瀑布

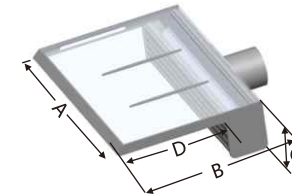
Models:
 PBS300-25 / PBS300-150 / PBA300-25 / PBA300-150
 PBS600-25 / PBS600-150 / PBA600-25 / PBA600-150
 PBS900-25 / PBS900-150 / PBA900-25 / PBA900-150
 PBS300-25(L) / PBS300-150(L) / PBA300-25(L) / PBA300-150(L)
 PBS600-25(L) / PBS600-150(L) / PBA600-25(L) / PBA600-150(L)
 PBS900-25(L) / PBS900-150(L) / PBA900-25(L) / PBA900-150(L)

READ THIS MANUAL CAREFULLY

- Installation must be done in compliance to your local ordinances and national regulations.
- Installation to be made by authorised personnel only (E.G. licenced engineers, electrician and so on).
- Only filtered water should be used with this product, otherwise clogging within the product may occur and cause leakage.

请仔细阅读

- 必须坚守所有适用的本地安装守则和条例。
- 必须由持牌或经过核证的电工或工程人员进行安装。
- 只有经过过滤的清水才适用于本产品上, 否则水里的杂质可能会阻塞管道而导致漏水。



DIMENSION 参数表

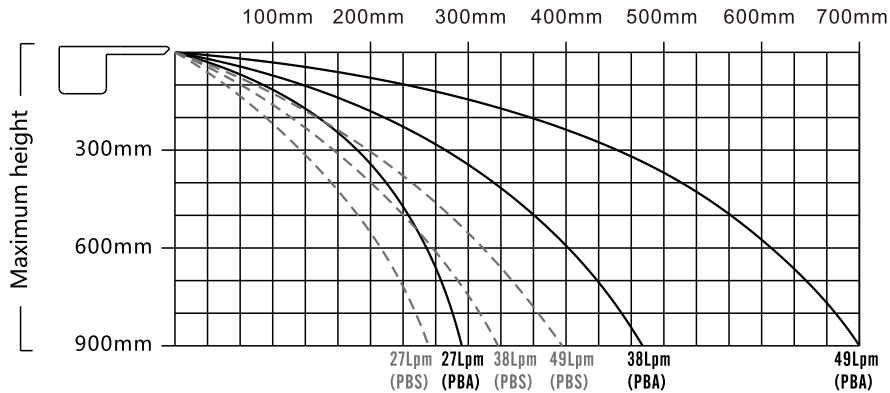
MODEL NO. 型号	A B C D				LED	TYPE OF WALL INSTALLATION 墙壁类型
	(mm)					
PBS300-25(L)	306	151	76	38	4W DC 12V	Existing Wall现有的墙壁
PBA300-25(L)	306	151	76	38	4W DC 12V	Existing Wall现有的墙壁
PBS300-150(L)	306	276	76	163	4W DC 12V	New Feature Wall(brick)单层砖墙
PBA300-150(L)	306	276	76	163	4W DC 12V	New Feature Wall(brick)单层砖墙
PBS600-25(L)	606	151	76	38	8W DC 12V	Existing Wall现有的墙壁
PBA600-25(L)	606	151	76	38	8W DC 12V	Existing Wall现有的墙壁
PBS600-150(L)	606	276	76	163	8W DC 12V	New Feature Wall(brick)单层砖墙
PBA600-150(L)	606	276	76	163	8W DC 12V	New Feature Wall(brick)单层砖墙
PBS900-25(L)	906	151	76	38	12W DC 12V	Existing Wall现有的墙壁
PBA900-25(L)	906	151	76	38	12W DC 12V	Existing Wall现有的墙壁
PBS900-150(L)	906	276	76	163	12W DC 12V	New Feature Wall(brick)单层砖墙
PBA900-150(L)	906	276	76	163	12W DC 12V	New Feature Wall(brick)单层砖墙
PBS300-25	306	151	76	38	/	Existing Wall现有的墙壁
PBA300-25	306	151	76	38	/	Existing Wall现有的墙壁
PBS300-150	306	276	76	163	/	New Feature Wall(brick)单层砖墙
PBA300-150	306	276	76	163	/	New Feature Wall(brick)单层砖墙
PBS600-25	606	151	76	38	/	Existing Wall现有的墙壁
PBA600-25	606	151	76	38	/	Existing Wall现有的墙壁
PBS600-150	606	276	76	163	/	New Feature Wall(brick)单层砖墙
PBA600-150	606	276	76	163	/	New Feature Wall(brick)单层砖墙
PBS900-25	906	151	76	38	/	Existing Wall现有的墙壁
PBA900-25	906	151	76	38	/	Existing Wall现有的墙壁
PBS900-150	906	276	76	163	/	New Feature Wall(brick)单层砖墙
PBA900-150	906	276	76	163	/	New Feature Wall(brick)单层砖墙

* Inlet size: 1.5"/50mm

Emaux Water Descents were designed to cater a wide range of sizes to suit various wall lengths and widths. They are suited for existing and new feature wall installation. The "Clear Overflow" construction requires no painting or no special covering to the face of the feature wall as can be easily tucked away. The "Clear Overflow" allows it to blend to your feature wall regardless of composition. The Emaux Water Descent will provide you with peaceful and relaxing sound of a running waterfall.

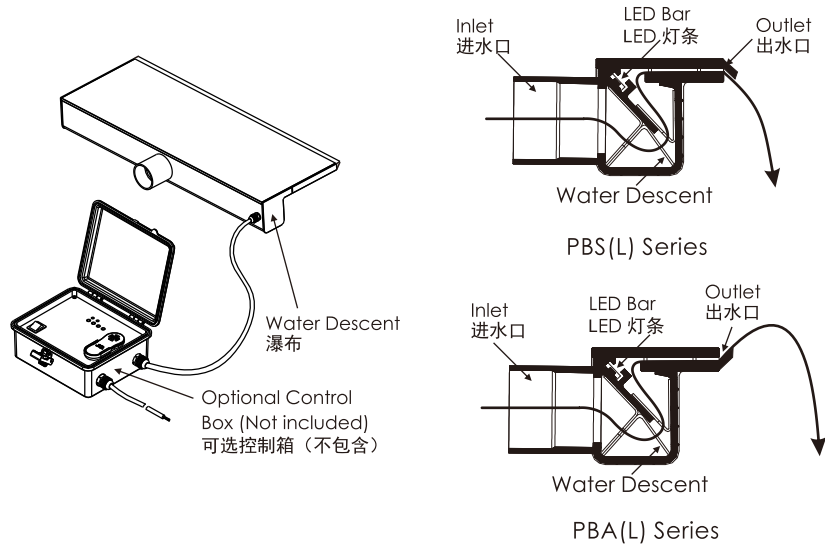
意万仕瀑布应用广泛，能迎合不同长度和厚度的墙。它们同时适合安装在已完成的墙壁和新建的墙壁。抛物线式的出水设计能有效隐藏出水口，同时省却在出水口上油漆或加建遮盖物的麻烦。这种设计使意万仕瀑布能简易地融入任何主题的墙。
意万仕瀑布将能提供一个平静和舒适的环境。

APPROXIMATE PROJECTION OF SHEET OF WATER PER 300MM OF WATERFALL LENGTH
每300毫米瀑布抛物线射程

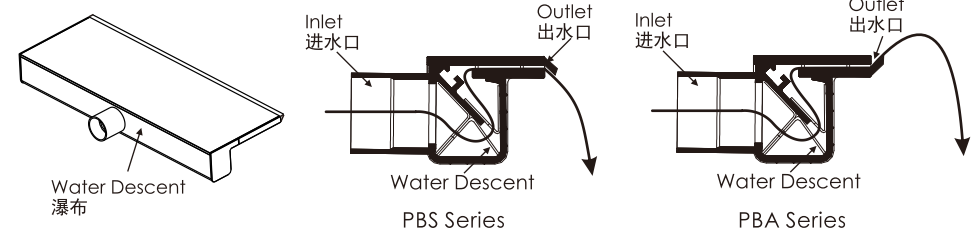


SPECIFICATION 产品功能说明

PBS300-25(L) / PBS600-25(L) / PBS900-25(L) / PBS300-150(L) / PBS600-150(L) / PBS900-150(L)
PBA300-25(L) / PBA600-25(L) / PBA900-25(L) / PBA300-150(L) / PBA600-150(L) / PBA900-150(L)



PBS300-25 / PBS600-25 / PBS900-25 / PBS300-150 / PBS600-150 / PBS900-150
PBA300-25 / PBA600-25 / PBA900-25 / PBA300-150 / PBA600-150 / PBA900-150

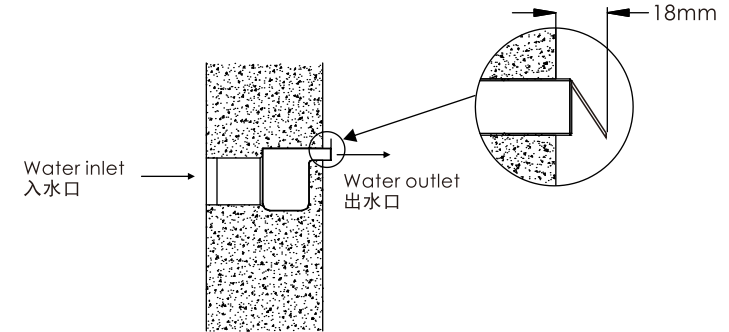


Important: Do not remove Grout Guard until the installation is complete
Do not leave unit in direct sunlight for long periods of time

INSTALLATION FOR WATER DESCENT 瀑布安装

EXISTING BUILT WALLS 现有的墙壁

PBS300-25(L) / PBS600-25(L) / PBS900-25(L) / PBS300-25 / PBS600-25 / PBS900-25
PBA300-25(L) / PBA600-25(L) / PBA900-25(L) / PBA300-25 / PBA600-25 / PBA900-25



SINGLE BRICK WALLS DURING CONSTRUCTION 施工过程中的砖墙

PBS300-150(L) / PBS600-150(L) / PBS900-150(L) / PBS300-150 / PBS600-150 / PBS900-150
PBA300-150(L) / PBA600-150(L) / PBA900-150(L) / PBA300-150 / PBA600-150 / PBA900-150

