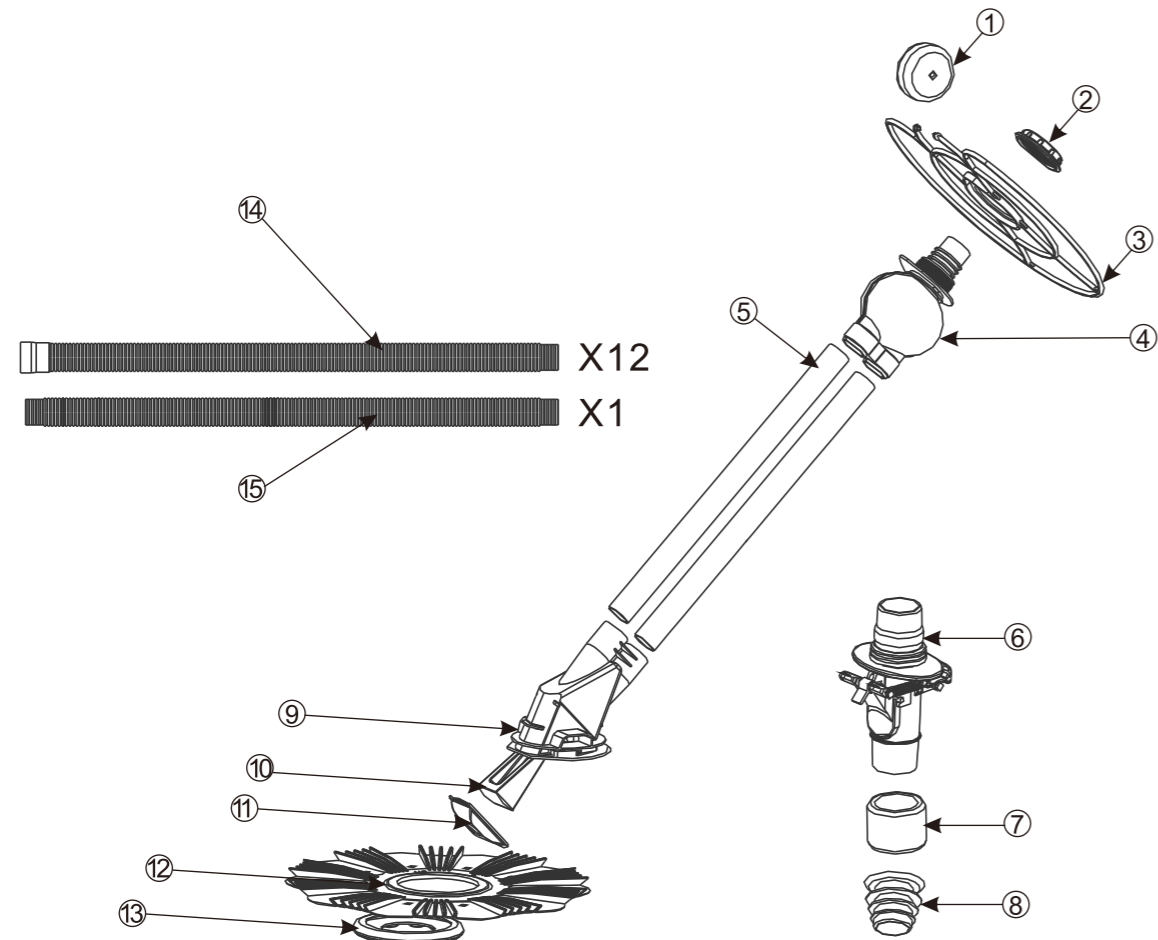


Parts list 零件清单

Key NO.	Part Number	Product Description		QTY
图示号	零件号	零件名称		数量
1	89050301	Hose weight	沉重环	1
2	01112017	Nut	螺母软管	1
3	01100005	Roller bumper strap	皮带辊	1
4	89050302	Top Assembly for Tube	管子的顶部总成	1
5	01010015	Tube	管子	2
6	08050017	Automatic Regulator Valve	自动调节阀	1
7	02141005	Flexi Hose Connector	Flexi软管接头	1
8	02140001	2" Hose Cone	2"管锥	1
9	89050304	Bottom Assembly for Tube	管子的底部总成	1
10	02300002	Flipper	鳍	1
11	01112018	Flipper Cover	鳍盖	1
12	02300003	Pleated Disc	褶密封	1
13	02300001	Interleaver	衬垫	1
14	01093008	Hose (Male - Female)	软管(外 - 内)	12
15	01093009	Hose (Female - Female)	软管(内 - 内)	1



Emaux water technology

Fast Start-up, Safely Operate and Efficiently Clean! Installation and Operation Manual 启动迅速, 操作安全 清洁高效! 安装与操作手册

I. Preparation of Your Pool 泳池的准备

Before assembling and installing your cleaner, your pool should be clean and algae-free so as not to inhibit the cleaner's traction. If necessary, make the following preparations before proceeding:

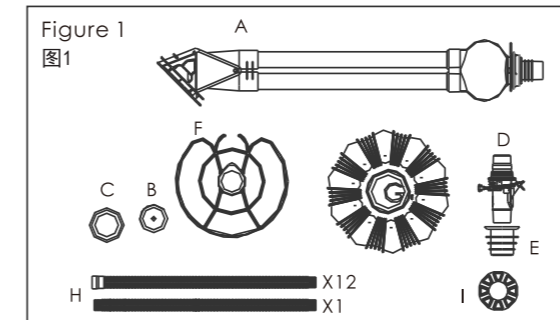
- 1) Chemically balance the pool water.
 - 2) Brush pool and let the debris settle.
 - 3) Hand vacuum thoroughly.
 - 4) Clean filter and pump strainer basket.
- 装配和安装吸池器之前, 泳池里应该洁净和没有藻类植物, 这样才不会抑制吸池器的牵引动作。必要时, 在开始前做以下的准备工作:
- 1) 对池水进行化学平衡。
 - 2) 刷洗水池、清理杂物。
 - 3) 彻底人工吸尘。
 - 4) 清洁过滤器和水泵过滤桶。

II. Assembly 装配

Remove the body and all of its parts from the box and check to make sure that all components are included. Refer to Figure 1. 从包装盒里取出清洁主体和所有零部件, 检查确定所有部件都齐全。参见图1。

Components Check List 零部件清单

- A) Body 清洁主体
- B) Nut 螺母软管
- C) Hose weight 沉重环
- D) Automatic regulator valve 自动调节阀
- E) 1.5" & 2" Hose Cone 1.5" & 2" 管锥
- F) Roller bumper strap 皮带辊
- G) Pleated Disc 褶密封
- H) Hose-10.4m total length (not shown) 软管-总长10.4m (未显示)
- I) Interleaver 衬垫



Step 1. Attach The disc 步骤1. 装上褶密封

To install the disc, locate the words "Up" and face them towards the main body, slip the disc over the Interleaver (flat side down towards pool floor) and full gently until it seats itself on the other side in its groove as illustrated in Figure 1. 安装褶密封时, 找到"Up" (上) 字样, 让它们面对主体, 把褶密封滑到衬垫上 (平面朝下, 面对泳池地板), 直至褶密封本身卡在凹槽另一面, 如图1所示。

2. disc must be installed flat side down, pleated side up. Once in place, the disc should rotate and turn freely. 褶密封必须平面朝下, 褶面朝上安装。一旦安装到位, 褶密封应该旋转和转动自如。

The disc is not reversible. The raised pleats on the Pleated Disc must face upward. The flat side of the disc should face down to rest against the pool surface. 褶密封不可反转。褶密封突起的褶面必须面朝上。褶密封平坦的一面应该朝下靠在泳池的地面。

Step 2. Attach The Roller Bumper Strap 步骤2. 装上皮带辊

Insert the bottom end of the strap into the slot provided on the main body. Insert the top end of the strap into the locking clip attached to the swivel head. See Figure 3. 把皮带的底端塞入主体上的槽内。把皮带的顶端塞入旋转头上的锁槽内。见图3。

Step 3. Assemble The Hose 步骤3. 装配软管

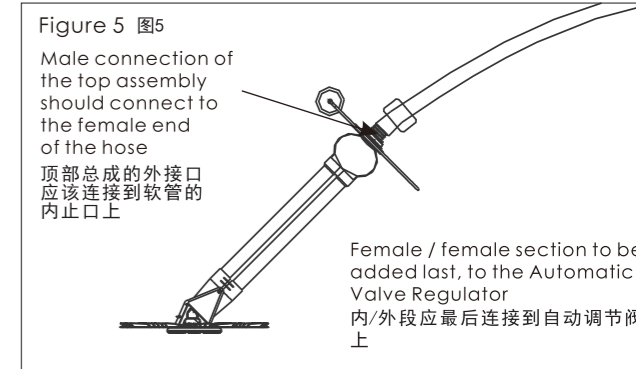
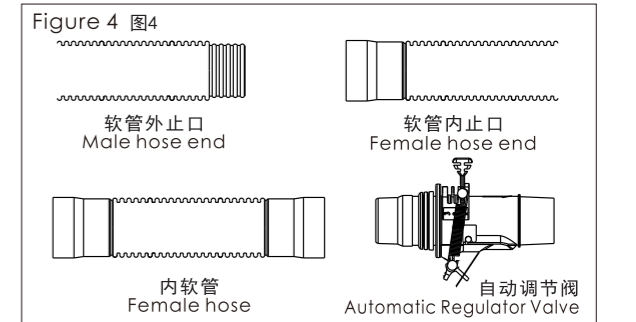
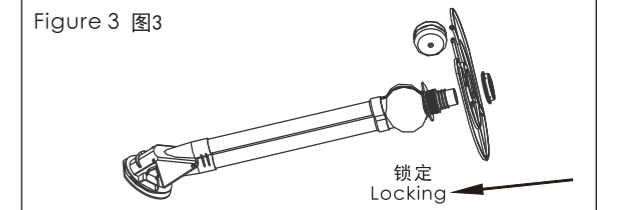
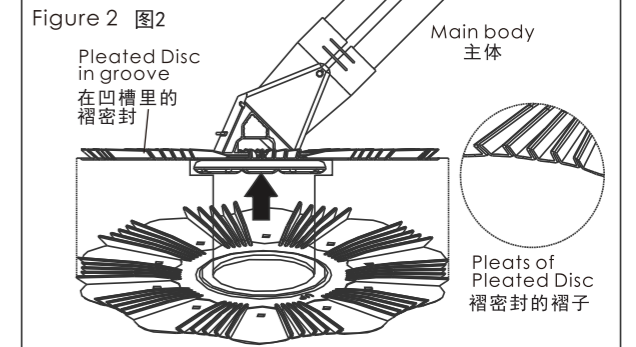
Twist and push the female ends onto the male ends after dipping the ends into the pool to wet them. See Figure 4. Continue until you've connected all the sections you need. After connecting the hose weights to the hose as described in "Table A", then connect the hose to the cleaner. See Figure 5. 把软管止口放到池水中, 使它们湿润, 把内止口扭转并推到外止口上。见图4。继续, 直至连接好所有需要连接的软管。按"表A"所描述的方法把沉重环连接到软管上之后, 再把软管连接到吸池器上。见图5。

One of the hose sections has 2 female ends and a hose protector. This section should be fitted last and attached to the pool's vacuum connection. 其中一段软管有2个内止口和1个软管保护器。这一段软管应该最后安装, 并连接到泳池真空设备的接头上。

Your fully assembled the cleaner should look like this. 组装完毕的吸池器应该看起来是这样的。



来是这样的。



III. Installation 安装

The cleaner is designed to work in a wide variety of swimming pools. This is the reason certain items (such as a 2" hose cone and valve cap for the automatic regulator valve) are included with your cleaner. These may or may not be needed, depending on the particular features of your pool. Both the standard in-skimmer installation and an optional vacuum line installation are covered in this manual. Check to see which most closely fits your pool configuration and follow the directions.

此款吸池器广泛应用于各种泳池。所以某些零部件 (例如2"管锥和用于自动调节阀的阀盖) 包含在吸池器里。这些零件可能有用, 也可能无用, 取决于您的泳池的特定功能。标准内置撇渣器的安装和可选配的真空管的安装都包括在本手册里。查看哪一个最符合您泳池的配置, 按照相应说明进行安装。

Standard Installation 标准安装

