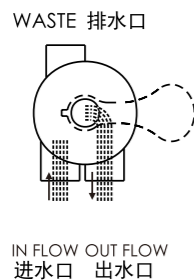


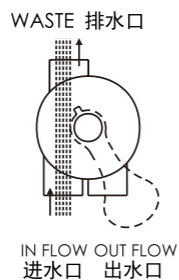
FUNCTIONS OF VALVE POSITIONS 阀门功能

Valve Position 阀门位置	Function 功能
FILTER 正常过滤	Normal Filtration 正常过滤
BACKWASH 倒冲洗	Cleaning Filter by reversing the flow 倒冲洗 (将过滤器内的污物排出)
RINSE 底管清洗	Used after backwash to flush dirt from valve 当倒冲洗后剩余在管内之渣物排出
WASTE 无过滤排水	By-passes filter, used for vacuuming to waste or lowering water level 排水
RECIRCULATE 无过滤循环	By-passes filter for circulating water to pool 不经过滤器循环
CLOSED 关闭	Shuts off all flow to filter or pool 关 (将过滤器内之功能关上)

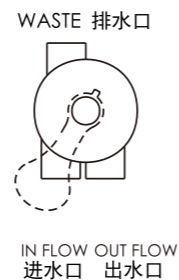
FILTER 正常过滤



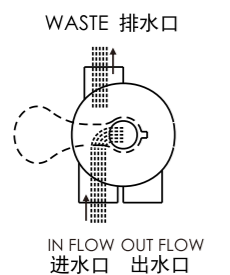
WASTE 不经过滤直接排水



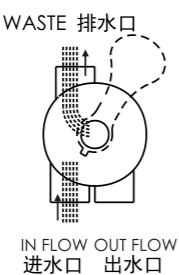
CLOSED 关闭过滤功能



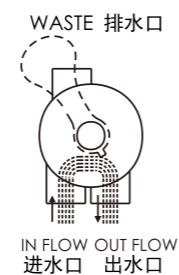
BACKWASH 倒冲洗



RINSE 倒冲洗后冲洗管道



RECIRCULATE 不经过滤器循环



GENERAL

SERVICING VALVE(Stop pump, close gate valve in suction&discharge before proceeding):
a. Set handle in filter position. b. Remove cover screws. c. Lift cover and key assembly out.

TO ASSEMBLE:

- Place valve key so that wedge opening is at TOP port (handle in Filter). Flat edge of cover screw lug should align with flat edge of body screw lug.
- Position cover O'Ring.
- Secure assembly to body with cover screws. Tighten cover screws evenly and diagonally. Do not over-tighten.

综合简介:

维修缸头(维修缸头前,请先关闭水泵及管道阀制)。
a. 手柄应设定在正常过滤位置。 B. 扭开沙缸头面盖上的螺丝。 c. 抬起手柄,将面盖连分水器等取出。

装配简介:

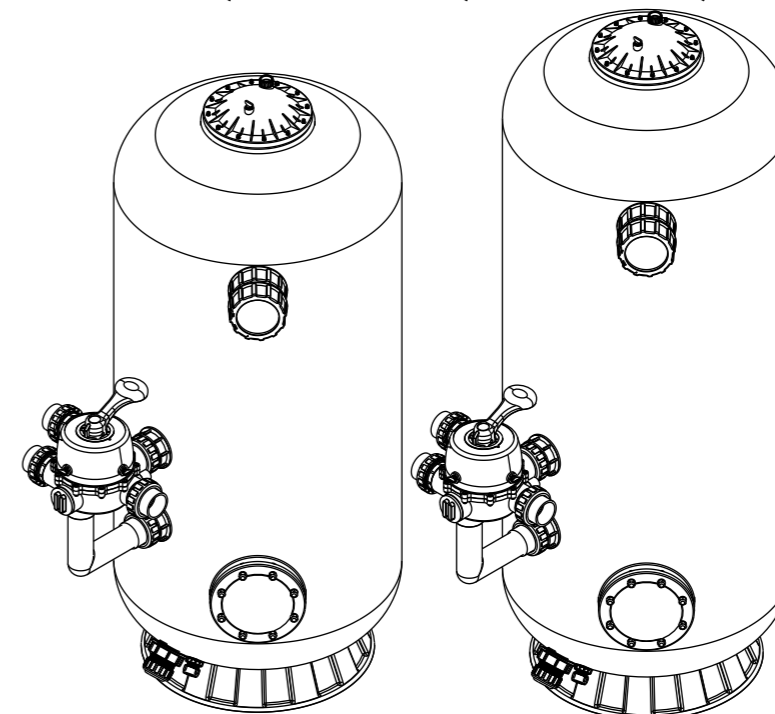
- 面盖胶圈放于面盖正确位置。
- 握住手柄,将面盖连分水器等放入缸头身,面盖上定位钉插入缸头身上小孔,手柄对着压力表孔(手柄在正常过滤位置),将螺丝孔及边对齐。
- 对称上好螺丝,均匀用力,将螺丝拧紧,但不能拧得过紧。

WARNING 警告

- ⚠ THIS FILTER OPERATES UNDER HIGH PRESSURE. WHEN ANY PART OF THE CIRCULATING SYSTEM (e.g., CLAMP, PUMP, FILTER, VALVES, ETC.) IS SERVICED, AIR CAN ENTER THE SYSTEM AND BECOME PRESSURIZED. PRESSURIZED AIR CAN CAUSE THE LID OR VALVE TO BE BLOWN OFF WHICH CAN RESULT IN SEVERE INJURY, DEATH, OR PROPERTY DAMAGE. DO NOT UNSCREW SCREWS OF FLANGE CLAMP WHILE FILTER OPERATING.
- ⚠ TURN PUMP OFF BEFORE CHANGING VALVE POSITION.
- ⚠ TO PREVENT DAMAGE TO THE PUMP AND FOR PROPER OPERATION OF THE SYSTEM, CLEAN PUMP STRAINER AND SKIMMER BASKETS REGULARLY.
- ⚠ UNDER LOW TEMPERATURE SHUT OFF CONDITION, IT IS STRONGLY RECOMMEND TO TURN TO WINTERISE POSITION AND DISCHARGE ALL THE WATER INSIDE FILTER THROUGH THE BOTTOM DRAIN.

- * 沙缸操作时会在高压下运作。当其中一部份打开(接合,水泵,沙缸,阀门等等)需要修理,空气便能进入系统内而改变大气压力,使而气压导致外壳或阀门等爆炸,造成受伤或环境破坏,因此沙缸运行时请勿扭动缸头上的螺丝。
- * 转换阀门功能制时,先停止水泵的运作。
- * 防止水泵受损,要定期清理水泵内的隔发器和池面撇渣器内的垃圾。
- * 气温较低,产品停业运行时,建议缸头手柄拨到结霜档位,同时打开底排水,排空缸内过滤水。

**Models(型号): SDB700-1.0, SDB800-1.0, SDB900-1.0, SDB1000-1.0
SDB700-1.2, SDB800-1.2, SDB900-1.2, SDB1000-1.2**



FUNCTION 功能简介

The filter uses special filter sand to remove dirt particles from pool water. The filter sand is loaded into the filter tank and functions as a permanent dirt removing media. When the control valve is in the FILTER position, the pool water which contains suspended dirt particles, is pumped through your piping system and is automatically directed by the patented filter control valve to the top of the filter tank. As the pool water is pumped through the filter, dirt particles are trapped by the sand bed, and filtered out. The cleaned Pool water is returned from the bottom of the filter tank, through the control valve and back to the pool through the piping system. This entire sequence is continuous and automatic. It provides for total recirculation of pool water through your filter and piping system.

After a period of time, the accumulated dirt in the filter causes a resistance to flow, and the flow diminishes. This means it is the time to clean your filter. With the control valve in the BACKWASH position, the water flow is automatically reversed through the filter so that it is directed to the bottom of the tank, up through the sand, flushing the previously trapped dirt and debris out the waste line. Once the filter is back-washed of dirt, set control valve to RINSE position and run pump for about 1/2 to 1 minute, and then set the control valve in the FILTER position, to resume normal filtering.

NOTE: Turn pump off before changing valve position.

沙缸功能是把泳池水中的污物经过沙层的过滤后,使干净水重新回到泳池内,过滤用的沙是石英沙。而过滤程序是:首先是缸头控制器上把手柄推向(FILTER)正常过滤,然后启动水泵,泳池水便透入水泵引入沙缸进水口,之后由进水中流到分水器等,再流入沙缸内,水经过沙的过滤流进缸的底部,再经过滤管进入过滤主管,水在管道中向上流往出水口,之后由管道系统注入泳池中。

经过一段时间后累积的污物,会影响水的流量。这个时候便需要进行清洗沙缸。把缸头控制器上的手柄推向(BACKWASH)倒冲洗,水流便由过滤主管进入,经缸底的过滤管排出,水流从底部向上升,把沙层内的污物排出。之后把控制器推向(RINSE)清洗管内之污物从沙缸排出。大约半分钟或1分钟后,把手柄推向(FILTER)正常过滤。

注意: 转换阀门位置时要先关掉水泵电源。

INSTALLATION 安装说明

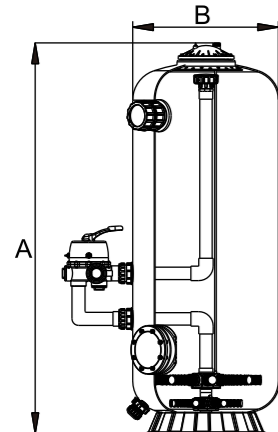
- Only simple tools (screwdriver and wrenches), plus pipe sealant for plastic adapters, are required to install and service the filter.
- The filter should be placed on a level concrete slab, very firm ground, or equivalent. Position the filter so that the piping connections, control valve are convenient and accessible for operation and service.
 - Loading the sand media. Filter sand media is loaded through the top opening of the filter.
 - Loosen flange clamp and remove filter control valve (if previously installed).
 - Cap internal pipe with plastic cap to prevent sand from entering it.
 - We recommend filling tank approximately 1/2 way with water to provide a cushion effect when the filter sand is poured in. This helps protect the under-drain laterals from excessive shock.
 - Carefully pour in correct amount and grade of filter sand. (Be sure center pipe remains centered in opening.) Sand Surface Should be leveled and should come to about the middle of the filter tank. Remove plastic cap from internal pipe.
 - Assemble filter control valve to filter tank.
 - Insert filter control valve (with O'ring in place) into the tank neck, ensuring the twelve bolts which is pre-embedded in the tank neck through the twelve hole around the valve, ensure that the center pipe slips into the hole in the bottom of the valve.
 - Put the twelve nuts and washers on each of the twelve bolts, then tighten all the nuts with wrench, ensuring that all nuts are tight.
 - Carefully screw pressure gauge (with O'ring in place) into the tapped hole in valve body. Do not over-tighten.
 - Connect pump to control valve opening marked PUMP.

4. Make return to pool pipe connection to control valve opening marked RETURN and complete other necessary plumbing connections, suction lines to pump, waste, etc.
5. Make electrical connections to pump per pump instructions.
6. To prevent water leakage, be sure all pipe connections are tight.

安装或修理沙缸只需要简单工具（螺丝刀、活动扳手等），喉管接驳到胶接头上。

1. 沙缸要放置在平坦和坚硬的地面上，要有足够的位置给与管道系统和缸头的安装，预留通道以便操作和修理。
2. 沙缸是装沙的器皿，沙是由沙缸顶部倒入。
 - A. 松开灰色大顶盖。
 - B. 我们建议：先在沙缸内加入半缸水作为缓冲效用，再注入适当份量的沙。这样便可保护到缸底的过滤管缓冲了沙的冲击造成损坏。
 - C. 小心加入正确数量的沙，沙的表面要铺平。
3. 装配灰色大顶盖
 - A. 安放灰色大顶盖（附有胶圈）进入缸颈位，确保缸头上12个孔，能穿过缸颈上的12颗螺钉。
 - B. 连接妥当大顶盖与颈上的12颗螺钉和螺母，并加上介子，用活动扳手扭紧。
 - C. 小心压力表（随有密封圈）装上缸头上，但是不要扭太紧。
 - D. 由水泵出入口连接管道到缸头进水口，初步的组合已完成。
4. 接驳管道由出水口到泳池过滤回水口，另外由进水口连接到水泵的出水口，排水口连接喉管到排水槽，各管道安装要平行和垂直，才合乎规格。
5. 接驳好电源后给水泵动作。
6. 为了防止漏水，使用前检查所有管道是否接合妥当。

MAIN DIMENSION 沙缸尺寸图



DIMENSION TABLE 尺寸表

Model 型号	Height 高 (mm) A	Diameter 直径 (mm) B	Valve 缸头 (Inch)	Sand 沙重 (Kg)
SDB700-1.0	1672	700	2"	580
SDB800-1.0	1702	800	2"	769
SDB900-1.0	1735	900	2"	957
SDB1000-1.0	1813	1000	2"	1204
SDB700-1.2	1872	700	2"	696
SDB800-1.2	1902	800	2"	914
SDB900-1.2	1935	900	2"	1146
SDB1000-1.2	2013	1000	2"	1436

INSTALL/START-UP OF FILTER 调试说明

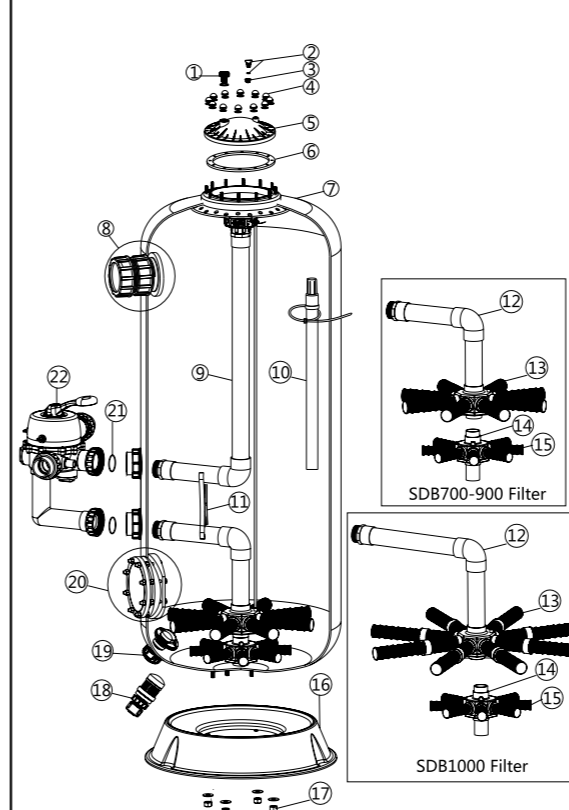
1. Be sure correct amount of filter media sand is in tank and that all connections have been made and are secure.
2. Depress control valve handle and rotate to BACKWASH position. (To prevent damage to control valve seal, always depress handle before turning.)
3. Prime and start pump according to pump instructions (be sure all suction and return lines are open), allowing the filter tank to fill with water. Once water is flowing out of the waste line, run the pump for at least 1 minute. The initial back-washing of the filter is recommended to remove any impurities or fine sand particles in the sand media.
4. Turn pump off and set valve to RINSE position. Start pump and operate until water in sight glass is clear, about 1/2 to 1 minute. Turn pump off and set valve to FILTER position and restart pump. The filter is now operating in the normal filter mode, filtering dirt particles from the pool water.
5. Adjust pool suction and return valves to achieve desired flow. Check system and filter for water leaks and tighten connections, bolts, nuts, as required.
6. Note the initial pressure gauge reading when the filter is clean. (It will vary from pool to pool depending upon the pump and general piping system.) As the filter removes dirt and impurities from the pool water, the accumulation in the filter will cause the pressure to rise and flow to diminish. When the pressure gauge reading is 1.5 bar, higher than the initial "clean" pressure you noted, it is time to backwash the filter (see BACKWASH under filter and Control valve functions).

NOTE: During initial clean-up of the pool water it may be necessary to backwash frequently due to the unusually heavy initial dirt load in the water.

1. 确定沙缸内的沙数量正确，同时所有管道系统连接妥当。
2. 将阀门控制手柄压下再转向倒冲洗位置，为了防止阀门控制密封装置不受损坏，用阀门控制前一定要先压下手柄才转动。
3. 按照水泵程序启动（确定所有进水和出水管道是开启）给水进入沙缸。作为首次启动系统，水泵最少也运行一分钟，另外建议最初先使用反冲洗功能，因为可以除去系统内的污垢或过滤沙中较细的粒子。
4. 停水泵，同时沙缸头转向清洗及排出污物的位置。之后开水泵，直至清水镜的水清澈，大约半至一分钟，便停泵。这时沙缸便进入正常过滤模式，把泳池水的污物过滤。
5. 调节过滤系统适合的水流。检查系统，沙缸和接合位置是否浸水，螺栓或螺母等是否妥当。
6. 当沙缸清洁时便摘录下压力表的读数。（读数的变化将会受泳池水泵和水管系统影响）。如沙缸过滤池水，把污物留下，而累积污物会造成压力上升和水流减慢。当压力表读数是1.5 bar，相对比当初（清洁）记录要高，这时要使用反冲洗沙缸。（参考反冲洗功能简介）。

注意：在过滤系统启动初期，将要多次使用反冲洗功能，因为初期的泳池水一定有污垢，流入沙缸便会积聚较多污垢和微粒。

REPLACEMENT PARTS OF FILTER 沙缸组件位置图



Item	Part No.	中文描述 Description Chinese	英文描述 Description English	数量 Qty
1	89010701	排气螺丝连胶圈	Air Release Valve	1
2	89021703	扭制连胶圈	Drain Plug with O'Ring	1
3	01111048	压力表牙套	Connector for Pressure Gauge	1
4	89010601	03013003 M8球形螺母*12个; 03012003 M8垫片*12个;	03013003 M8 Nut*12Pcs; 03012003 M8 Washer*12Pcs;	1
5	01172005	大顶盖 (灰色)	Lid (Grey)	1
6	02011126	颈环密封胶垫	Gasket	1
7	89013801	SDB700-1米 缸身	SDB700-1.0M Filter Tank	1
89013815	SDB700-1.2米 缸身	SDB700-1.2M Filter Tank	1	
89013802	SDB800-1米 缸身	SDB800-1.0M Filter Tank	1	
89013816	SDB800-1.2米 缸身	SDB800-1.2M Filter Tank	1	
89013803	SDB900-1米 缸身	SDB900-1.0M Filter Tank	1	
89013817	SDB900-1.2米 缸身	SDB900-1.2M Filter Tank	1	
89013804	SDB1000-1米 缸身	SDB1000-1.0M Filter Tank	1	
89013818	SDB1000-1.2米 缸身	SDB1000-1.2M Filter Tank	1	
8	89012842	透视孔 (用于SD系列深层沙缸)	Sight Glass (for SDB Series Filters)	1
89013805	SDB700-1米 沙缸上部过滤系统	SDB700-1M Top part of the inner tank system	1	
89013819	SDB700-1.2米 沙缸上部过滤系统	SDB700-1.2M Top part of the inner tank system	1	
89013806	SDB800-1米 沙缸上部过滤系统	SDB800-1M Top part of the inner tank system	1	
89013820	SDB800-1.2米 沙缸上部过滤系统	SDB800-1.2M Top part of the inner tank system	1	
89013807	SDB900-1米 沙缸上部过滤系统	SDB900-1M Top part of the inner tank system	1	
89013821	SDB900-1.2米 沙缸上部过滤系统	SDB900-1.2M Top part of the inner tank system	1	
89013808	SDB1000-1米 沙缸上部过滤系统	SDB1000-1M Top part of the inner tank system	1	
89013822	SDB1000-1.2米 沙缸上部过滤系统	SDB1000-1.2M Top part of the inner tank system	1	
9	89013813	1.0米沙缸 排气管连排气筛	1.0M Filter Air Vent Pipe	1
89013827	1.2米沙缸 排气管连排气筛	1.2M Filter Air Vent Pipe	1	
01111090	2"管支架架	2.0" Tank System Support	1	
10	89013809	SDB700-1.0米 沙缸下部过滤系统	SDB700-1.0M Bottom part of the inner tank system	1
89013823	SDB700-1.2米 沙缸下部过滤系统	SDB700-1.2M Bottom part of the inner tank system	1	
89013810	SDB800-1.0米 沙缸下部过滤系统	SDB800-1.0M Bottom part of the inner tank system	1	
89013824	SDB800-1.2米 沙缸下部过滤系统	SDB800-1.2M Bottom part of the inner tank system	1	
89013811	SDB900-1.0米 沙缸下部过滤系统	SDB900-1.0M Bottom part of the inner tank system	1	
89013825	SDB900-1.2米 沙缸下部过滤系统	SDB900-1.2M Bottom part of the inner tank system	1	
89013812	SDB1000-1.0米 沙缸下部过滤系统	SDB1000-1.0M Bottom part of the inner tank system	1	
89013826	SDB1000-1.2米 沙缸下部过滤系统	SDB1000-1.2M Bottom part of the inner tank system	1	
11	01172011	185mm 底管 (用于SDB700 SDB800)	Laterals (185mm) for SDB700 SDB800 Filter	8
01172011	233mm 底管 (用于SDB900)	Laterals (233mm) for SDB900 Filter	8	
89010613	底管 (185mm+129mm)	Laterals (185mm+129mm)	8	
14	89013828	1.5寸过滤芯套件	1.5" Lower Filtration System	1
01172007	底管 (115mm)	Laterals (115mm)	8	
15	01161066	SDB700圆弧形底座	Filter Base for SDB700 Filter	1
01161067	SDB800圆弧形底座	Filter Base for SDB800 Filter	1	
01161068	SDB900圆弧形底座	Filter Base for SDB900 Filter	1	
01161069	SDB1000圆弧形底座	Filter Base for SDB1000 Filter	1	
17	89013829	03013019 M12螺母*4个; 03012014 M12垫片*4个;	03013019 M12 Nut*4Pcs; 03012014 M12 Washer*4Pcs;	1
18	89010107	沙缸底排水	Water Drain Set	1
19	89012807	底排沙	1.5" Sand Drain Set	1
20	89013814	人孔 (用于SDB系列深层沙缸)	Manhole for SDB Filter	1
21	02020016	胶圈	O-Ring	1
22	88280813	2"侧身缸头	2.0" Side Mount Valve	1

PARTS OF VALVE 缸头组件图

Item	Part No.	中文描述 Chinese	英文描述 Product Description	数量 Qty
1	01013003	大手柄	Handle (Big)	1
2	03018008	手柄固定销	Pin for Handle	1
3	01181027	大介子	Washer for Handle	1
4	01013022	2.0"侧出缸头圆形盖 (黑色)	2.0" Side Mount Valve Rotundity Lid (Black)	1
5	89280301	M6*32B头机丝连螺母	M6*32 Screw with Nut	10
6	01111048	压力表牙套	Connector for Pressure Gauge/Stopper	1
7	89021303	扭制连胶圈	Drain Plug with O'Ring	1
8	06011029	底出油压表 (40Psi)	Oil Pressure Gauge With O-Ring (40Psi)	1
9	02020016	胶圈	O-Ring for 2.0" Union	8
10	01013031	2.0"外牙头 (黑色)	2.0" Connector (Black)	3
11	01171154	2.0"公英制管接头	2.0" Union (A/E)	3
12	01051032	2.0"螺母 (黑色)	2.0" Union Nut (Black)	3
13	02011009	面盖胶圈	O-Ring for 2.0" Valve Lid	1
14	01181002	小介子	Washer for spring	1
15	02011022	分水器胶圈	O-Ring for 2.0" Valve Rotor	2
16	03014014	弹簧	Spring	1
17	01021002	2.0"分水器	2.0" Valve Rotor	1
18	02311003	止水胶圈	Spider Gasket	1
19	01013026	2.0"侧出缸头身 (黑色)	2.0" Side Mount Valve Bottom Body (Black)	1
20	89280104	清水镜连胶圈	Sight Glass With O-Ring	1
21	02011011	胶圈	O-Ring for Union Tale	1
22	01013099	2.0"带牙接头 (黑色)	2.0" Union Tale (Black)	1
23	01013034	2.0"侧出螺母 (黑色)	2.0" Union Nut (Black)	2
24	02020017	胶圈	O-Ring for Plug	1
25	01013101	2.0"塞头 (黑色)	2.0" Side Mount Valve Plug (Black)	2
26	01013118	公制2.0"弯管 (黑色)	2.0" Elbow Tube (Black) 183mm	1
27	01171035	管接头 (公制2.0")	2.0" Union Adaptor (Metric)	1

