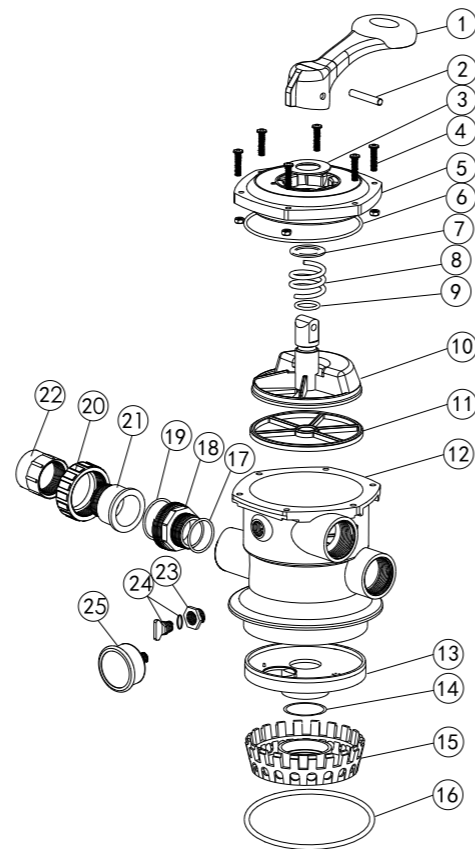


**VALVE REPLACEMENT PARTS**

项目	物料编码	英文描述	中文描述	数量
Item	Part No	English Description	Chinese Description	Qty
1	01013003	Handle (Big)	大手柄	1
2	03018008	Pin for Handle	手柄固定销	1
3	01181001	Washer for Handle	大介子	1
4	89280107	M6×30 Screw with Nut for Standard Lid	M6×30 B头机丝连螺母	6
5	01013004	1.5" Top Mount Valve Standard Lid (Black)	1.5"缸头标准面盖(黑色)	1
6	02011002	O-Ring for 1.5" Valve Lid	面盖胶圈(A)	1
7	01181002	Washer for Spring	小介子	1
8	03014001	Spring for 1.5" Top Mount Valve	弹簧	1
9	02011022	O-Ring for 1.5" Valve Rotor	分水器胶圈	2
10	01021001	1.5" Valve Rotor	1.5"分水器	1
11	02311002	Spider Gasket	止水胶圈	1
12	01013007	1.5" Top Mount Valve Bottom Body Clamp (black)	1.5"缸头身(行夹)(黑色)	1
13	01013011	1.5" Diffuser	1.5"分水层	1
14	02011001	O-Ring for Diffuser	胶圈	1
15	01013012	1.5" Top Mount Valve Over Drain Diffuser	1.5"分水篮	1
16	02011134	O-Ring	胶圈	1
17	02020013	O-Ring for 1.5" Connector	1.5"外牙头胶圈	1
18	01013015	1.5" Connector (black)	1.5"外牙头	1
19	02011003	O-Ring for 1.5" Union	1.5"管接头胶圈	1
20	01013017	1.5" Union Nut (black)	1.5"螺母	1
21	01041002	1.5" Union (short)	1.5"管接头(短)	1
22	01172026	1.5" Union With Sight Glass Holder	1.5"管接头带清水镜	1
23	01111048	Connector for pressure gauge/stopper	压力表牙套	1
	02011139	O-ring	胶圈	1
24	89021703	Drain Plug with O-ring	扭制连胶圈	1
25	06021013	Plastic Pressure Gauge With O-Ring (40psi)	底出胶表连胶圈(40psi)	1



Valve Position 阀门位置	Function 功能
FILTER 正常过滤	Normal Filtration 正常过滤
BACKWASH 倒冲洗	Cleaning Filter by reversing the flow 倒冲洗 (将过滤器内的污物排出)
RINSE 底管清洗	Used after backwash to flush dirt from valve 底管清洗
WASTE 无过滤排水	By-passes filter, used for vacuuming to waste or lowering water level 排水
RECIRCULATE 无过滤循环	By-passes filter for circulating water to pool 不经过滤器循环
CLOSED 关闭	Shuts off all flow to filter or pool 关 (将过滤器内之功能关上)

**WARNING 警告**

- ⚠ THIS FILTER OPERATES UNDER HIGH PRESSURE. WHEN ANY PART OF THE CIRCULATING SYSTEM (e.g., CLAMP, PUMP, FILTER, VALVES, ETC.) IS SERVICED, AIR CAN ENTER THE SYSTEM AND BECOME PRESSURIZED. PRESSURIZED AIR CAN CAUSE THE LID OR VALVE TO BE BLOWN OFF WHICH CAN RESULT IN SEVERE INJURY, DEATH, OR PROPERTY DAMAGE.
- ⚠ TURN PUMP OFF BEFORE CHANGING VALVE POSITION.
- ⚠ TO PREVENT DAMAGE TO THE PUMP AND FOR PROPER OPERATION OF THE SYSTEM, CLEAN PUMP STRAINER AND SKIMMER BASKETS REGULARLY.
- ⚠ DO NOT UNSCREW SCREWS OF FLANGE CLAMP WHILE PUMP IS RUNNING.
- ⚠ 此过滤器是在高压下运转的。当对循环系统的任何部件(如卡箍,水泵,过滤器,阀门等)进行维护保养时,空气有可能进入系统内并增大压力。增压的空气可能会造成密封盖或阀门的爆裂,从而导致严重的伤亡事件或财产损失。
- ⚠ 改变阀门的位置之前要先关闭水泵。
- ⚠ 为了防止对水泵的破坏以及确保系统的正确运转,要定时清洁水泵的过过滤篮。
- ⚠ 当水泵在运转状态时,不要拧松法兰卡箍的螺丝。

**FILTER & PUMP COMBO**  
**沙缸连泵组合装置**  
**Installation & Operating Instruction**  
**安装及操作说明书**

**Model(型号): FSP650-6W**  
(配SCA150水泵和CL-02投药器)



**INSTALLATION 安装**

- \* Install filtration system including pump, filter tank and multiport valve.
- \* The filter system should be installed as close as possible to the swimming pool and preferably at a level of 0.50 metres below the surface of the water in the swimming pool. Make sure there is drainage available at the place where the filter is to be installed.
- \* **PUMP**
- 1) Only qualified, licensed personnel should install pump and wiring.
- 2) Electrical Contractors Please Note: All 220 volt 50Hz pump must be wired to the main power supply through an approved and correctly rated contractor.
- 3) Allow for gate valve in suction piping.
- 4) Pump suction and discharge connections have moulded in thread stops, do not try to screw pipe in beyond these stops.
- \* **FILTER TANK and MULTI-PORT VALVE**
- 1) Loading the sand media. Filter sand media is loaded through the top opening of the filter.
  - a) Loosen the plastic clamps from tank neck.
  - b) Cap internal pipe with plastic cap to prevent sand from entering it.
  - c) We recommend filling tank approximately 1/2 way with water to provide a cushion effect when the filter sand is poured in. This helps protect the under-drain laterals from excessive shock.
  - d) Carefully pour in correct amount and grade of filter sand. Be sure center pipe remains centered in opening. Sand surface should be leveled and should come to about the middle of the filter tank. Remove plastic cap from internal pipe.
- 2) Assemble filter control valve to filter tank.
  - a) Insert filter control valve (with O-ring in place) into the tank neck, taking care that the center pipe slips into the hole in the bottom of the valve.
  - b) Place two plastic clamps around valve flange and tank neck and tighten just enough so that the valve may be rotated on tank for final positioning.
  - c) Carefully screw pressure gauge (with O-ring in place) into tapped hole in valve body. Do not over-tighten.
  - d) Connect pump to control valve opening marked PUMP with hose. After connections are made, tighten clamps with screwdriver, tapping around clamp with screwdriver handle to help seat valve flange clamp.
- 3) Make return to pool pipe connection to control valve opening marked RETURN and complete other necessary plumbing connections, suction lines to pump, waste, etc.
- 4) To prevent water leakage, be sure all pipe connections are tight.

- \* 安装沙缸连泵过滤系统包括水泵、沙缸和缸头多功能阀。
- \* 沙缸连泵过滤系统的安装位置应该离游泳池越近越好,最好放置于游泳池水面之下0.5米处。要确保沙缸连泵过滤系统的安装位置处设置有排水管道。
- \* **水泵**
- 1) 水泵的安装和电气布线要由有资质的、特许人士进行。
- 2) 电气安装承包商。要注意:所有220V50Hz的水泵应该由经过评估审核过的承包商连接到主电源上。
- 3) 为在抽水管道里装闸阀留出余地。
- 4) 水泵的抽水和排水管上都铸造有螺纹止位,安装时不要尝试将管道旋入太深以至于超过这些止位。
- \* **沙缸和多功能缸头。**
- 1) 装入沙介质。沙缸的沙介质是通过沙缸顶部的开口装进去的。
  - a) 从沙缸颈部松开塑料卡箍。
  - b) 用塑胶帽盖住内管,以避免沙子进入。
  - c) 我们建议在大约1/2的沙缸内先注入水,这样当过滤沙倒入时可起到缓冲的作用,也有助于保护下水道的分支管免受太大的震动。
  - d) 小心谨慎地把正确数量和等级的过滤沙倒进去。要确保中心管道依然处于开口的中心位置。过滤沙的表面应该平整,并处于沙缸的中部。从内管上取下塑胶帽。
- 2) 把缸头阀安装到沙缸上。
  - a) 把缸头阀(O形圈已放到位)插入沙缸颈部,当中心管道滑入阀门底部的孔内。
  - b) 把颈环夹放到缸头阀法兰和沙缸颈部上,紧固颈环夹,松紧程度要允许阀门在最后定位时能在沙缸上转动。
  - c) 小心仔细地把压力计(O形圈已放到位)拧入阀门体上的螺纹孔内。不要拧得过紧。
  - d) 用软管把水泵连接到标有PUMP(泵)字样的缸头阀接口处。连接好后,用螺丝起子上紧卡箍,并用起子的手柄沿着卡箍的周围轻轻敲打,帮助座阀法兰卡紧。
- 3) 把返回到水池的管子连接到标有RETURN(返回)字样的缸头阀接口处。完成其它必要的管道连接,到水泵的抽水管、排污管等等。
- 4) 为了防止水管漏水,要确保所有的管道连接紧密。

### INSTALL/START-UP OF FILTRATION 过滤器的安装和启动

- 1) Be sure correct amount of filter media sand is in tank and that all connections have been made and are secure.
- 2) Depress control valve handle and rotate to BACKWASH position. (To prevent damage to control valve seal, always depress handle before turning.)
- 3) Prime and start pump. Never run pump dry! Running pump dry may damage seals, causing leakage and flooding! Fill pump with water before starting motor. (be sure all suction and return lines are open), allowing the filter tank to fill with water. Once water is flowing out of the waste line, run the pump for at least 1 minute. The initial back-washing of the filter is recommended to remove any impurities or fine sand particles in the sand media.
- 4) Turn pump off and set valve to RINSE position. Start pump and operate until water in sight glass is clear, about 1/2 to 1 minute. Turn pump off and set valve to FILTER position and restart pump. The filter is now operating in the normal filter mode, filtering dirt particles from the pool water.
- 5) Adjust pool suction and return valves to achieve desired flow. Check system and filter for water leaks and tighten connections, bolts, nuts, as required.
- 6) Note the initial pressure gauge reading when the filter is clean. (It will vary from pool to pool depending upon the pump and general piping system.) As the filter removes dirt and impurities from the pool water, the accumulation in the filter will cause the pressure to rise and flow to diminish. When the pressure gauge reading is 1.5 bar, higher than the initial "clean" pressure you noted, it is time to backwash the filter (see BACKWASH under filter and control valve functions).

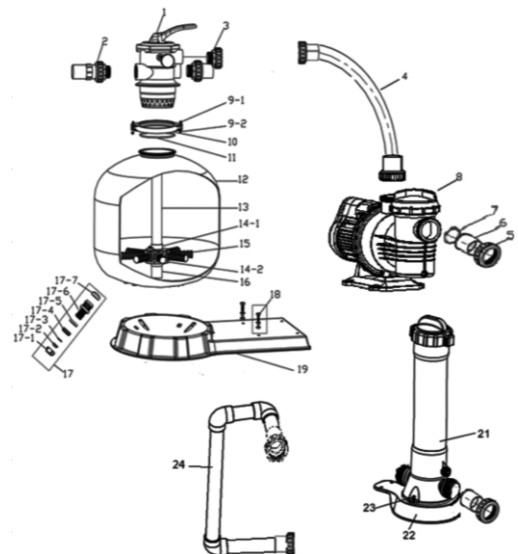
**NOTE:** During initial clean-up of the pool water it may be necessary to backwash frequently due to the unusually heavy initial dirt load in the water.

- 1) 确保沙缸内有正确数量的过滤介质沙以及所有的管道已安装妥当。
- 2) 压下缸头阀手柄, 并将其转到反冲洗位置。(为了防止损坏缸头多功能阀的阀座, 一定要按压手柄后再转动。)
- 3) 在水泵内注水及启动水泵。永远不要使水泵处于干涸状态! 水泵在无水时工作可能会损坏阀座, 引起漏水和溢水! 在启动电机之前要在水泵内注满水。(确保所有的抽水管和回水管都是开着的), 让水泵的过滤桶充满水。一旦水从排污管流出, 启动水泵至少1分钟。建议对过滤器进行初次反冲洗, 以便清除杂物或者沙介质里的沙微粒。
- 4) 关闭水泵并将阀门调到RINSE(反冲洗)位。启动水泵, 让其运转直到玻璃观察窗里的水变得清澈透明为止, 这个过程需时约1/2至1分钟。关闭水泵, 将阀门调到FILTER(过滤)位置, 重新启动水泵。过滤器现在以正常的过滤模式运转, 过滤掉水池里的污物。
- 5) 调节水池的抽水和回水阀门, 以达到要求的水流量。检查系统和过滤器是否漏水, 必要时拧紧各连接管、螺栓和螺母。
- 6) 记录下过滤器在洁净状态时的压力计原始读数。(这个数值会因水池而异, 是由所用的水泵和通用的管道系统所决定的。)因为过滤器不断地过滤出池水中的污物和杂质, 过滤器中堆积的杂物会造成水压的上升和水流的减少。当压力计读数达到1.5巴, 高于您所记录的原始“清洁”压力时, 是时候对过滤器进行反冲洗了(参见过滤器和缸头阀的作用一节的反冲洗)。

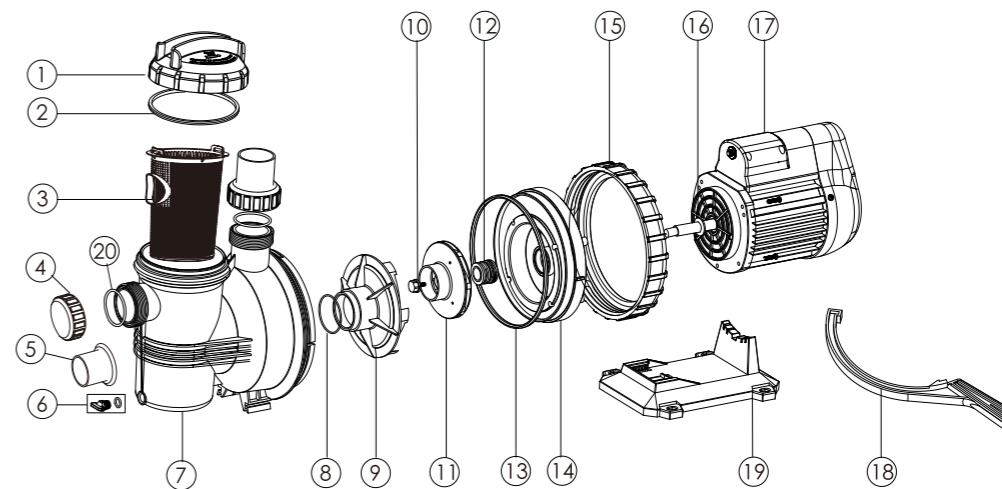
**注意:** 由于水中原始含有的污物和杂质程度非常严重, 在对池水进行初次净化时可能会需要历次的反冲洗。

### REPLACEMENT PARTS OF FILTER

项目	部件编号	部件名称	数量	项目	部件编号	部件名称	数量
1	88280105	1.5"标准缸头	1	18	03011073	外六角螺丝	6
2	08010026	排污活接	1		03012003	平垫	14
3	08010027	过滤活接	1		03012009	弹垫	6
	02020013	胶圈	1	03013016	外六角螺母	6	
	02011003	胶圈	1	19	01111053	16"-25"连泵底座	1
	01013015	1.5"外牙头	1	21	88440217	CL-02 投药器	1
4	01151010	PVC软管	1	22	01112103	投药器底座	1
	01013017	90°牙螺母	1	23	03011181	大扁头十字自攻螺丝	2
	01171001	1.5"英制管接头	1	24	01171041	1.5"公制90度弯头	3
5	01013032	2"螺母	2		01151007	1.5"公制PVC管105mm	1
6	01171155	公英制管接头	2		01151007	1.5"公制PVC管145mm	1
7	02020016	密封圈	2		01151007	1.5"公制PVC管600mm	1
8	88024307	SCA水泵	1		01151007	1.5"公制PVC管315mm	1
9-1	03021035	M6方形铜螺母	2	25	9-1	9-1	2
9-2	03011095	圆头机丝螺丝	2		9-2	9-2	2
10	01271010	颈环夹	2		10	10	1
11	02011134	胶缸颈环胶圈	1		11	11	1
12	01331010	25"沙缸身	1		12	12	1
13	01151006	650中心管	1		13	13	1
14	01172041	A芯	1		14-1	14-1	1
14-1	01172015	底管接头身	1		14-2	14-2	1
14-2	01172012	底管接头盖	1		15	15	8
15	01172008	底管	8		16	16	1
16	01151007	1.5"PVC管	1		17	17	1
17	08010004	底排水	1		17-1	17-1	1
17-1	01172025	底排水外盖	1		17-2	17-2	1
17-2	01172023	塞头	1		17-3	17-3	1
17-3	02011127	胶圈	1		17-4	17-4	1
17-4	01172021	螺母	1		17-5	17-5	1
17-5	02011128	胶垫	1		17-6	17-6	1
17-6	01172024	底排水身	1	17-7	17-7	1	
17-7	01172022	底排水内盖	1				



### SCA PUMP REPLACEMENT PARTS



项目	物料编码	英文描述	中文描述	数量
Item.	Part No.	Product Description	Product Description	Qty
1	01041043	Transparent Lid	透明盖	1
2	02011077	O-Ring for lid	透明盖密封圈	1
3	01111076	Basket	过滤篮	1
4	01013032	2"Nut	2" 螺母	2
5	01171155	1.5" Union Adaptor (A/E)	1.5"公英制管接头	2
6	89021307	Drain Plug With O-ring	扭制连胶圈	1
7	01111006	Pump Body	泵体	1
8	02011105	O-ring for Diffuser	分水轮密封圈	1
9	01111009	Diffuser	分水轮	1
10	89021309	Impeller Screw with O-ring	水叶螺丝连胶圈	1
11	01311011	Impeller	水叶	1
12	04015032	3/4" Mechanical seal	3/4"机械密封	1
13	02011089	O-ring for Flange	法兰密封圈	1
14	01111008	SC Pump Flange	法兰	1
15	01021014	Ring Lock Nut	大螺母	1
16	02011096	Motor Slinger	电机止水胶垫	1
17	04020141	Motor (220V/50Hz)	电机 (220V/50Hz)	1
18	01021022	Opening Key	水泵匙	1
19	01111007	Pumps Base	底座	1
20	02020016	O-Ring	胶圈	2

### PRIMING PUMP 水泵的注水启动

- ❖ Release all air from filter and piping system.
  - ❖ In a flooded suction system (water source higher than pump), pump will prime itself when suction and discharge valves are opened.
  - ❖ If pump is not in a flooded suction system, unscrew and remove trap cover; fill trap and pump with water.
  - ❖ Clean and inspect Ring; re-install on trap cover. Replace trap cover on trap; turn clockwise to tighten cover.
- NOTICE:** Tighten trap cover by hand only. Pump should prime now. Priming time will depend on vertical length of suction lift and horizontal length of suction piping.
- ❖ 排空过滤器和管道系统内的所有空气。
  - ❖ 在一个溢水的抽水系统(水源高于水泵)里, 当抽水阀和排水阀都开启时, 水泵会为自己注水以便启动。
  - ❖ 如果水泵不是在溢水的抽水系统里, 拧松并移开水泵透明盖, 把水注入水泵过滤桶内。
  - ❖ 清洁和检查密封圈; 重新安装到透明盖上。
  - ❖ 把盖子重新装到水泵上; 沿顺时针方向拧紧。
- 注意:** 只能用手拧紧透明盖。水泵现在应该注水启动了。注水时间取决于抽水压头的纵向长度和抽水管道的横向长度。