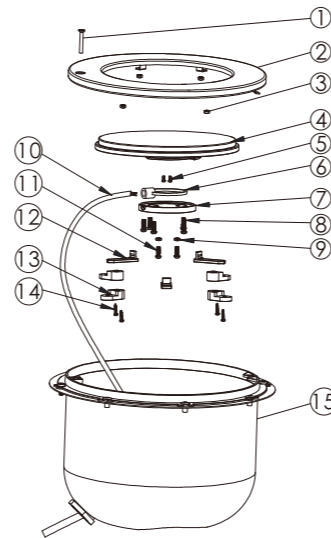


Maintenance of the Lights 水下灯的保养与维护

- Do not leave the lights "on" above water for longer than 1 minute.(水下灯可以在没有水的情况下点亮超过1分钟)
- Do not leave the lights directly under sunlight. Fill the pool with fresh water as soon as possible after the lights are installed.(水灯装好到泳池内, 应尽快将泳池内注满水, 水下灯不可以长时间在太阳光下曝晒)
- Before switching on the lights, check whether the lights are fully submerged underwater and the circuit boxes are running properly.(装好水下灯点亮前, 要检查水灯否完全浸在水中, 电箱和电路是否正常)
- This unit does not need any kind of maintenance. If it is not working properly, please contact EMAUX authorized dealer where you purchase the unit from.(此产品不需要任何维修, 如果不正常工作, 请联系你购买此产品Emaux授权的经销商)
- Warranty will be voided if the Emaux Underwater Light was dismantled by unauthorized personnel.(如果Emaux水下灯被未经授权人拆卸则保修视为无效)

REPLACEMENT PARTS

项目	部件编号	中文描述	英文描述	数量
Item No.	Part No.	Description Chinese	Description English	Qty
1	03011058	平头十字螺丝 (D3/16寸*9/8寸)	D3/16" *9/8" Pilot Screw	1
2	03017112	面盖 (#304)	Face Ring Assembly (#304)	1
	03017116	面盖 (#316)	Face Ring Assembly (#316)	1
3	03013004	六角螺母 (M4)	Hexagonal Nut (M4)	4
4	04011153	暖光 (252颗灯珠, 20W) 灯盘	Ultra-Thin 252 LED panel 20W,Warm white	1
	04011151	白光 (252颗灯珠, 20W) 灯盘	Ultra-Thin 252 LED panel 20W,Cool white	
	04011152	彩光 (252颗灯珠, 20W) 灯盘	Ultra-Thin 252 LED panel 20W,RGB	
	04011150	蓝光 (252颗灯珠, 20W) 灯盘	Ultra-Thin 252 LED panel 20W,Single Blue	
	04011107	暖光 (441颗灯珠, 35W) 灯盘	Ultra-Thin 441 LED panel 35W,Warm white	
	04011105	白光 (441颗灯珠, 35W) 灯盘	Ultra-Thin 441 LED panel 35W,Cool white	
	04011106	彩光 (441颗灯珠, 35W) 灯盘	Ultra-Thin 441 LED panel 35W,RGB	
	04011104	蓝光 (441颗灯珠, 35W) 灯盘	Ultra-Thin 441 LED panel 35W,Single Blue	
	04011181	暖光 (531颗灯珠, 50W) 灯盘	Ultra-Thin 531 LED panel 50W,Warm white	
	04011179	白光 (531颗灯珠, 50W) 灯盘	Ultra-Thin 531 LED panel 50W,Cool white	
4	04011180	彩光 (531颗灯珠, 50W) 灯盘	Ultra-Thin 531 LED panel 50W,RGB	1
	04011178	蓝光 (531颗灯珠, 50W) 灯盘	Ultra-Thin 531 LED panel 50W,Single Blue	
5	03011360	M3X5圆头机丝	M3X5 round head screw	2
6	02021085	硅胶圆形胶圈	Silica gel ring	1
7	01050105	灯盘底壳盖	Bottom cover	1
8	03011361	M4*10圆头平底自攻螺丝	M4*10 round head self-tapping screw	5
9	02010285	丁晴胶圆形胶圈	NBR ring	2
10	04013004	2*1.5mm ² *2.5m (D8) 电缆线	2*1.5mm ² *2.5m (D8) Cable	1
11	03012125	M4*10扁头平底自攻螺丝	M4*10 flat head self-tapping screw	2
12	01050100	线扣	Cable Clip	3
13	01110028	压紧件	Fastener	4
14	03011348	十字扁头机丝 (M4*22)	M4*22 Screw	4
15	88043605	不锈钢外壳	Stainless Steel Housing for S300	1



www.emaux.com.au

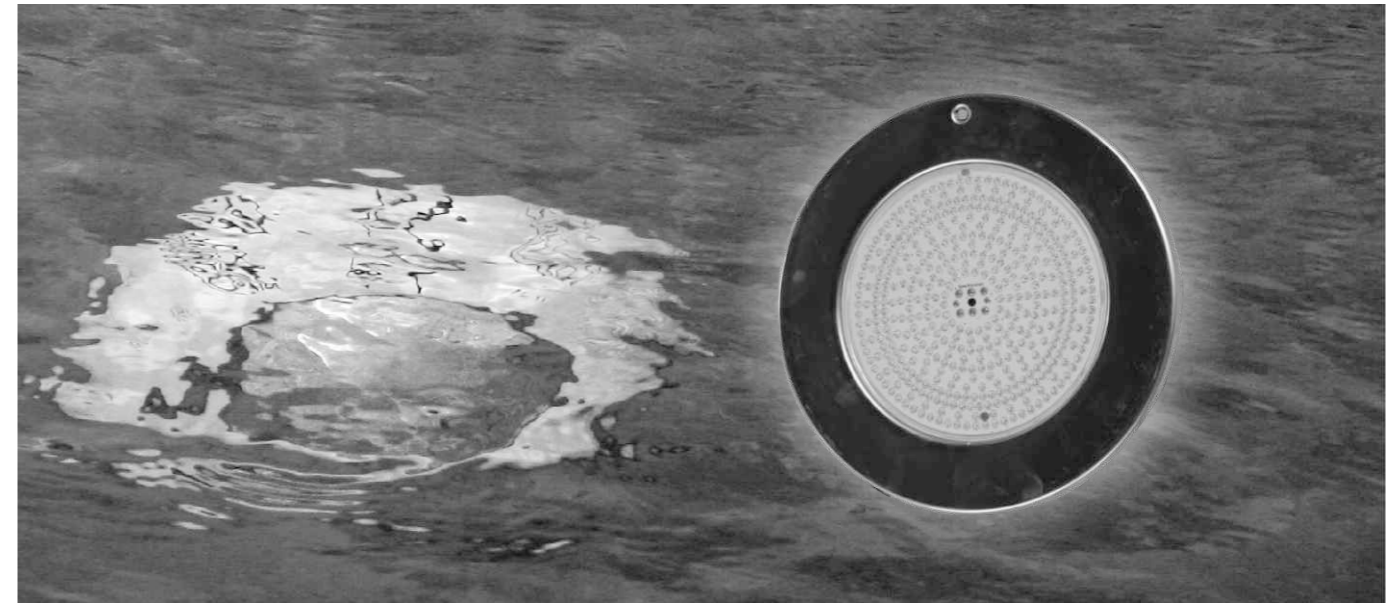
EL-S300

UNDERWATER LIGHT OPERATING MANUAL

EL-S300水灯说明书

Model(型号): EL-S300-252, EL-S300-441, EL-S300-531

Keep this manual for future reference
请保留此份说明书以备用



SAFETY WARNINGS 安全警告

- Only qualified electrician is allowed to carry out the installation of this product.(必须由持牌或经过核证的电工或专业的泳池安装人员才能进行安装)
- Avoid direct contact with electrical power.(避免与电源直接接触)
- Respect all regulations in effect for preventing accidents.(遵循所有规则防止引起事故)
- All units are required to be disconnected from the main electricity before any operation of maintenance.(在维修和安装水灯前, 要断开总电源)
- Never handle with wet hands and feet.(不能够用湿的手脚操作)
- This unit is design for use only when fully submerged in fresh water, connecting with a safety transformer
(此产品是设计完全用于完全浸泡于清洁的水中, 连接认可的安全隔离LED驱动器)
- Never operate this Underwater Light for more than 1 minute unless it is totally submerged in water.(不要超过1分钟操作, 除非完全浸泡于水中)
- Be sure power is off before installing or removing LED plate. Allow LED plate to cool before replacing.(在安拆灯盘之前确保电源已关掉, 灯盘降温后才允许更换)
- This product should be installed according to your local electrical installation ordinances and regulations.(应遵守当地用电安装条例和规则安装此产品)
- Maximum Depth for Light installation at 1 meter(水灯安装离水面最深为1m).
- Maximum Water Temperature Range for light operation 0 - 30°C(水温度范围0-30°C)

SPECIFICATION 规格

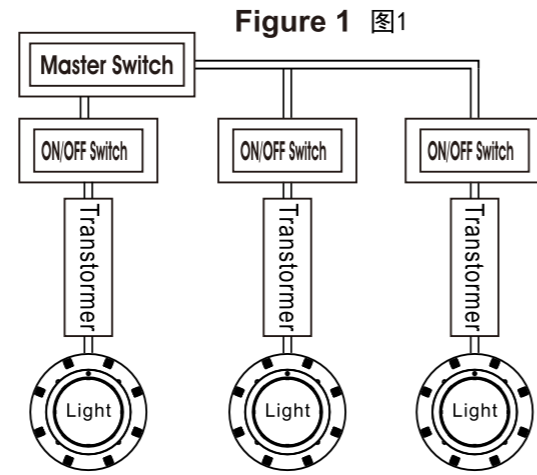
A.Electrical Specification : 1) Voltage : AC12V 2) Frequency : 50/60Hz 3) Power : 20W / 35W / 50W.(水灯参数: 电压: AC 12V 频率: 50/60Hz 功率: 20W / 35W / 50W.)

B.Colour change options(For RGB version only) (水灯的颜色变化功能, 仅限于彩光款):

1	White (白色)	2	Green (绿色)
3	Blue (蓝色)	4	Green + Blue (绿色+蓝色)
5	Red + Green (红色+绿色)	6	Red + Blue (红色+蓝色)
7	Mode A: Blue + Gradual Red (渐变模式A: 蓝色长亮+红色渐变)	8	Mode B: Green + Gradual Red (渐变模式B: 绿色长亮+红色渐变)
9	Mode C: Blue + Gradual Green (渐变模式C: 蓝色长亮+绿色渐变)	10	Mode D: Blue + Gradual Red (渐变模式D: 蓝色长亮+红色渐变)
11	Mode E: RGB Colour Sequence: Red > Green > Blue (渐变模式E: 红绿蓝渐变)	12	Auto Colour Change (快速变化, 自由发挥)
13	Mode F: Four Colour Sequence: Red > Green > Blue > Purple (渐变模式F: 红绿蓝紫四色渐变)	14	Rapid Auto Colour Change (快速跳变, 自由发挥)

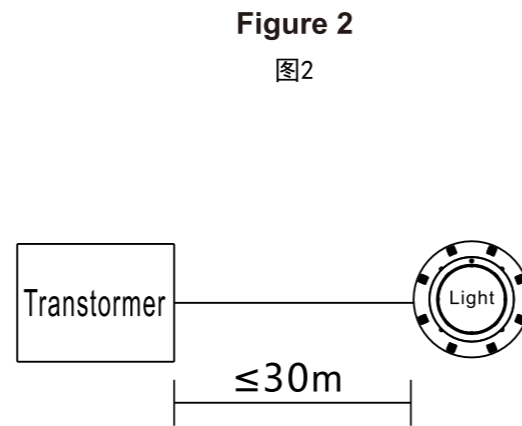
C. Control 控制说明

- 1) When the light is connected to the transformer directly, the on/off switch controls the colour changes (Associating a light with a transformer and an on/off switch is recommended; if you want all the lights to change colour at the same time, install a master switch, Figure 1). (水灯直接接变压器, 根据开关来实现以上颜色变化。(我们建议一个水灯配一个变压器, 装一个开关; 如果想所有的灯同时变化颜色, 就在所有开关的前面装一个总电源开关。(如图1))
- 2) If applicable, when the light is connected to the transformer and the transformer to the optional control box, the control panel on the control box and its remote control controls the colour changes (See the Control Box Manual for details). (变压器接控制箱, 水灯再接变压器, 根据控制箱的按键和遥控器来实现以上颜色变化。(详情请见控制箱说明书))



INSTALLATION NOTES 水灯安装注意事项

- 1) Each cable is 2.5m long. You should follow the procedures closely when installing the light. (水下灯的电缆线有2.5米长, 在安装水灯时应严格按照水灯操作说明进行)
- 2) It is recommended to install a light every 20m², the approximate exposure area of each unit. (水灯的照射面积约20平方米, 即在20平方米的水面要装一个水灯)
- 3) The lights should be installed in the direction that they will not shine directly into the house. (为了防灯光刺眼, 水灯必须装在与房子相反的方向)
- 4) For training or competition pools, the lights must be installed on the sides in order to prevent swimmers from seeing any glare. (如果是比赛或训练用游泳池, 水灯必须用在游泳池的两侧为了防止游泳者看到产生眩光)
- 5) Nothing should be placed on the poolside directly above the lights for ease of future maintenance. (为了方便灯具维护, 灯具上面的游泳边上必须空出一块地方)
- 6) If the wires are connected inside the lights, you must seal the connections with leak-proof tapes or products with the same function. (如果水下灯的接线处在水灯中时, 你必须用防水胶带或用其它胶将接线处密封好)
- 7) The cables connecting the lights and the transformers must be at least 6mm² and the distance between them must not exceed 30m (Figure 2); otherwise the lights will not function properly. (水灯到变压器的之间的电缆线不可少于6mm², 安装距离不可以超过30米。(如图2): 因电缆线规格小或安装距离太长, 线路会有损耗, 电压就达不到12V, 我们的水下灯就不可以完全点亮)



INSATALLATION OF THE UNDERWATER LIGHT 水下灯的安装

A. Preparing to Install 安装准备

- 1) Before installation, a circuit system diagram must be designed by a certified engineer. (在安装水下灯前, 要有专业设计人员来完成整个游泳池的水下灯电路系统图)
- 2) The circuit system must comply with local laws and regulations and must be carried out by qualified electricians. (保证电路系统符合当地法规的要求; 必须要有一个合格的水电工程师才能安装水下灯)
- 3) Make sure the voltage is 12V and the terminal box is at least 120cm from the poolside (Figure 3). (确保连接水灯的电压为12V, 接线盒位置安装距离池边最少120厘米。(如图3))
- 4) Upon installation, top of the light must be at least 45cm from water surface (Figure 3). (入墙牌要安装在指定位置上, 以便挂上灯后, 灯的顶部最少距离水面45厘米。(如图3))

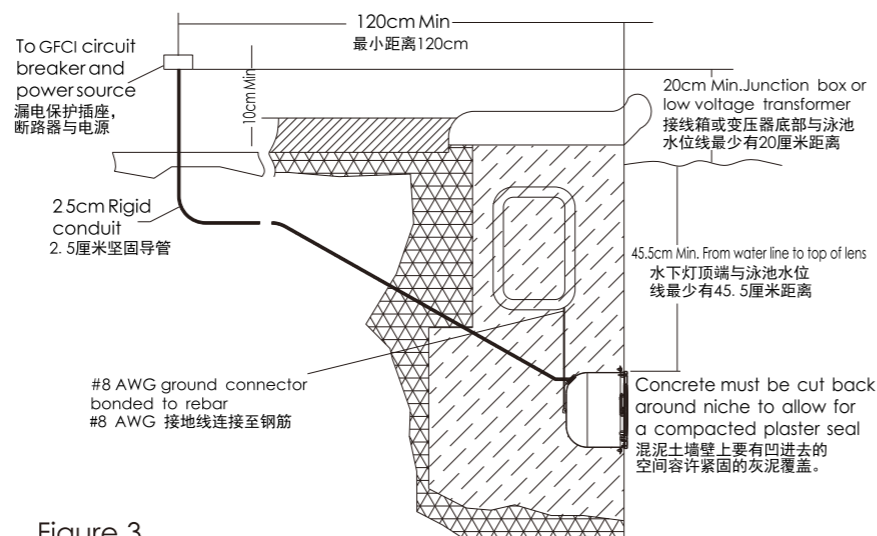


Figure 3
图3

B. Pool Installation 泳池安装

- 1) Embedded the lamp shell body into the cement wall and the edge of the lamp shell should be face flat by the swimming pool (Figure 4). 先将灯体外壳预埋进水泥墙内, 外壳的边要与泳池完成面相平。(如图4)
- 2) Screws on the lamp and face upward, the surface of the cover should be hooks on to the surface of the cover (Figure 5). 灯壳上螺丝部分朝上安装, 将面盖上的挂钩卡到面盖上。(如图5)
- 3) Attached the cover to the lamp housing and tighten up the above screws (Figure 6 & 7). 将面盖装到灯壳上, 收紧上面的螺丝。(如图6和7)
- 4) Lights should be installed on smooth or within the curved surface. Irregular or uneven wall surface can not be installed. 灯要安装在平滑或内弯表面, 池壁不规则或不平的表面不可以安装。
- 5) All the cables should be wrapped behind the light and ensure all the cables are long enough for maintenance when it is out of the water. 缠绕一部分的电缆线在灯的后面, 要保证电缆线足够长, 可以将灯拿出水面维修。
- 6) The pool junction box wiring must be sealed with waterproof tape and to prevent water extension internal infiltration of water. 泳池边接线盒内的接线处一定要防水胶带密封好, 防止水延电缆线内部渗入水灯内。

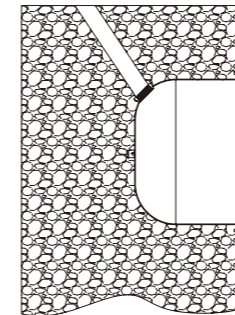


Figure 4
图4

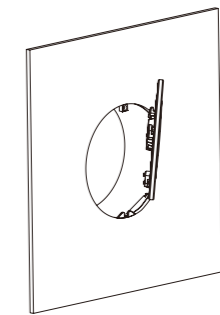


Figure 5
图5

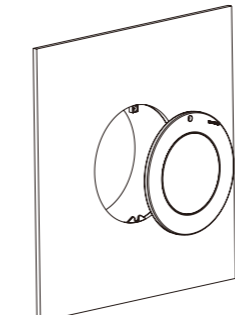


Figure 6
图6

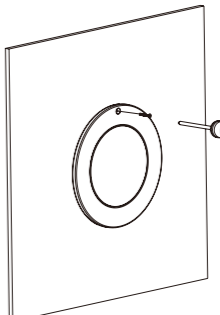


Figure 7
图7

C. Replace the lamp panel 更换灯盘

- 1) Before maintaing underwater lights, connected to the anti underwater lights and circuit breaker between the power is cut off, as above-mentioned instructions did not comply it may result in serious injury and even death. 保养维修水下灯之前, 必须反连接水下灯与断路器之间电源切断, 没有依从做到上述指示, 可能导致严重伤害和甚至死亡。
- 2) Unscrew the top bit, removed underwater lights from the wall, cautiously put water light on the platform. 将顶端螺丝从水下顶部旋开, 把水下灯从池壁内取出, 把水灯谨慎放在平台上。
- 3) Figure 8, first loosen the four screws and then remove the clamping block, Remove and replace the lamp. 按图8的顺序进行先将4颗螺丝松开, 再取出压紧块, 取出灯盘进行更换。

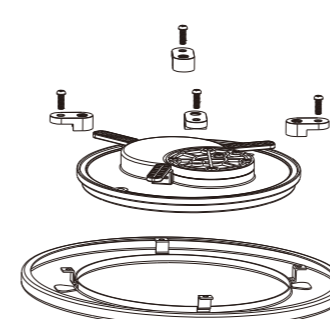


Figure 8
图8