

## Ozone Mixing and Contact Vessels Manual

### 臭氧混合及接触容器使用说明书

The ozone contact vessels can be used with the mix chamber or with ozone directly injected into the contact chamber through multiple venturi's depending on application. The vessels are available in 1600, 1800 and 2000 mm dia. All vessels are 4200 mm tall and designed to provide a 3 minute contact time at the designed flow. They come standard with inlet and outlet ports, observation window and vessel drain. The vessels 900 mm and larger in diameter come with a maintenance hatch/manhole for inspection and maintenance purposes.

The ozone mixing vessels are specifically designed to provide excellent gas mixing and diffusion dynamics in a low differential pressure mixing chamber.

The vessel is manufactured using a thick moulded core using ozone resistant VE resin and externally reinforced mono filament spiral wound layer. The vessels are available in 2.5 and 4.0 bar operating pressure.

Standard sizes are 700, 900 and 1200 mm dia. All vessels are 4000 mm tall and come standard with observation window, inlet and outlet ports and a drain valve. These vessels require a inlet manifold which includes a venturi or multiple venturi's as required. The mix vessels can be supplied with or without the inlet manifold.

The mix vessel is designed to be used downstream of the ozone contact vessel which retains the gas and water in contact for sufficient time for a near complete reaction. The vessel is made in a similar way to the mix vessel and available in 2.5 and 4.0 bar working pressures.



臭氧接触器可与混合容器一起用, 或让臭氧通过多个文丘里管直接注入臭氧接触器。

标准尺寸为1600, 1800和2000毫米直径或可跟项目设计需求定制。所有接触器都4200毫米高, 设计流量为3分钟的接触时间。标准配备入水口和出水口, 观察窗及排水。配有维修舱门/人孔进行检查和维护。

臭氧混合容器是专门设计为用于低差压混合室提供优质的气体混合和扩散。该容器采用耐臭氧的乙烯基酯树脂和增强外部电脑四维机螺旋缠绕层制造。这些容器提供2.5和4.0 bar工作压力供选择。

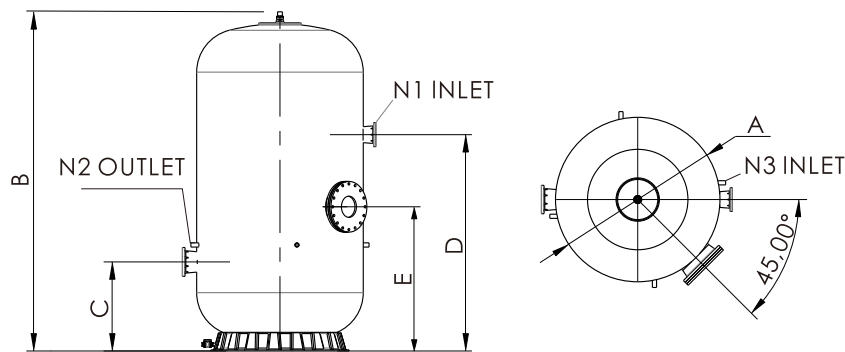
标准尺寸为700, 900和1200毫米直径。所有容器都身高4米和标准配备观察窗, 进水口, 出水口和排水阀。这些容器需要进气导管, 其中可选择加配文丘里或多个文丘里管。混合容器可选择具有或不具有进气导管供给。

混合容器被设计为用于的臭氧接触器的下游, 其气体和水的接触时间足以接近一个完全反应过程所需时间。

## Ozone Contact Chamber Range

### 臭氧接触容器列表

Model 型号	Diameter A 直径 A mm	Height B 高度 B mm	Working Pressure 工作压力 bar	Testing Pressure 测试压力 bar	Weight 重量 kg	flow Velocity 流速 m <sup>3</sup> /h/m <sup>2</sup>	flow rate 流量 m <sup>3</sup> /h	Retention Time 滞留时间 s	Inlet N1 Dia. 进水口N1	outlet N2 Dia. 出水口N2	Inlet N3 Dia. 进水口N3	Dim C 尺寸 C mm	Dim D 尺寸 D mm	Dim E 尺寸 E mm
CC1600-4.2	1600	4200	2.5	4	780	60	121	210	4"	6"	1.5"/50mm	750	2250	1700
						70	141	180	6"	8"				
						80	161	158	8"	10"				
CC1800-4.2	1800	4200	2.5	4	900	60	153	204	6"	8"	1.5"/50mm	900	2400	1700
						70	178	175	8"	10"				
						80	203	153	10"	12"				
CC2000-4.2	2000	4200	2.5	4	980	60	188	198	6"	8"	1.5"/50mm	1050	2550	1700
						70	220	170	8"	10"				
						80	251	149	10"	12"				



## Ozone Mixing Chamber Range

### 臭氧混合容器列表

Model 型号	Diameter A 直径 A mm	Height B 高度 B mm	flowrate 流量 m <sup>3</sup> /h	Working Pressure 工作压力 bar	Testing Pressure 测试压力 bar	Weight 重量 kg	Inlet N1 Dia. 进水口N1	outlet N2 Dia. 出水口N2	Dim C 尺寸 C mm	Dim D 尺寸 D mm
MC700-4.0	700	4000	19.2	2.5	4	280	6"	4"	1700	600
MC900-4.0	900	4000	31.8	2.5	4	430	8"	6"	1700	800
MC1200-4.0	1200	4000	56.5	2.5	4	580	8"	6"	1700	1000

