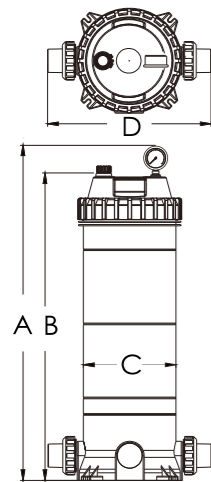


SPECIFICATIONS 规格

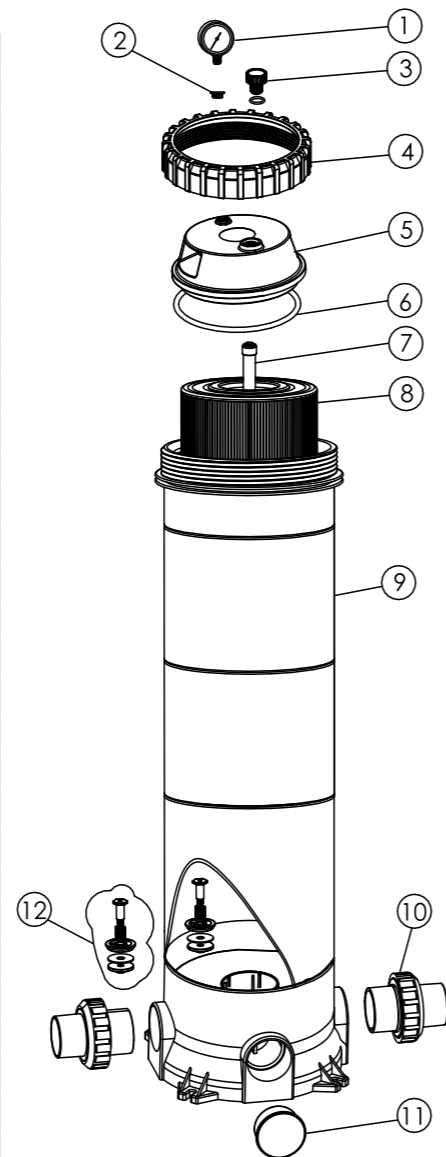
DIMENSION TABLE 参数表



Model 型号	High 高 (mm) A	High 高 (mm) B	Diameter 直径 (mm) C	Diameter 直径 (mm) D	Filtration Area 过滤面积 (m ²)	Design Flow 流量 (m ³ /h)
CF25	445	387	225	397	2.25	5.5
CF50	625	567	225	397	4.63	11.4
CF75	805	747	225	397	7.00	17.0
CF100	985	927	225	397	9.38	22.9
CF150	1165	1107	225	397	13.72	33.4
CF200	1345	1287	225	397	16.82	40.9

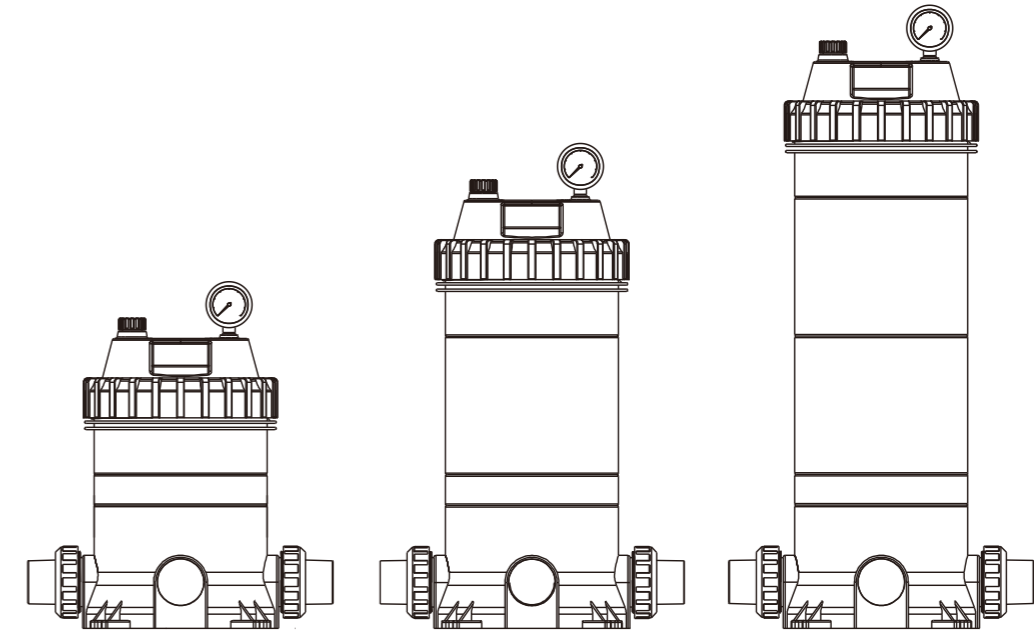
REPLACEMENT PARTS 分解图

项目 Key No.	部件编号 Part No.	中文 Chinese	产品资料/说明 Product Description	数量 Qty
1	06011032	侧出油压表连胶圈(40psi)	Oil Pressure Gauge With O-ring(40 psi)	1
2	01111048	压力表牙套	Connector for Pressure Gauge/Stopper	1
3	89010701	排气螺丝连胶圈	Air Release Valve	1
4	01021006	纸芯缸大螺母	Ring Lock for cartridge filter	1
5	01011002	纸芯缸盖	Cartridge filter Lid	1
6	02011034	胶圈	O-Ring for Lid	1
7	89060103	CF25 PVC管连排气盖	CF25 PVC Air Vent Pipe With Cover	1
	89060104	CF50 PVC管连排气盖	CF50 PVC Air Vent Pipe With Cover	1
	89060105	CF75 PVC管连排气盖	CF75 PVC Air Vent Pipe With Cover	1
	89060106	CF100 PVC管连排气盖	CF100 PVC Air Vent Pipe With Cover	1
	89060107	CF150 PVC管连排气盖	CF150 PVC Air Vent Pipe With Cover	1
	89060108	CF200 PVC管连排气盖	CF200 PVC Air Vent Pipe With Cover	1
8	88270101	CF25净纸芯	CF25 Element	1
	88270102	CF50净纸芯	CF50 Element	1
	88270103	CF75净纸芯	CF75 Element	1
	88270104	CF100净纸芯	CF100 Element	1
	88270105	CF150净纸芯	CF150 Element	1
	88270106	CF200净纸芯	CF200 Element	2
9	89060116	CF25纸芯缸身	CF25 Cartridge Filter Body	1
	89060117	CF50纸芯缸身	CF50 Cartridge Filter Body	1
	89060118	CF75纸芯缸身	CF75 Cartridge Filter Body	1
	89060119	CF100纸芯缸身	CF100 Cartridge Filter Body	1
	89060120	CF150纸芯缸身	CF150 Cartridge Filter Body	1
	89060121	CF200纸芯缸身	CF200 Cartridge Filter Body	1
10	89060114	1.5"纸芯缸公英制活接	1.5"Union for Cartridge filters	2
	89060115	2.0"纸芯缸公英制活接	2.0"Union for Cartridge filters	2
11	01011015	胶塞	Plug	1
12	89060109	泄压阀	Pressure Release Valve	1



CARTRIDGE FILTER

Models(型号): CF25 / CF50 / CF75 / CF100 / CF150 / CF200



WARNING 警告

- ⚠ THIS FILTER OPERATES UNDER HIGH PRESSURE. WHEN ANY PART OF THE CIRCULATING SYSTEM (e.g., CLAMP, PUMP, FILTER, VALVES, ETC.) IS SERVICED, AIR CAN ENTER THE SYSTEM AND BECOME PRESSURIZED. PRESSURIZED AIR CAN CAUSE THE LID OR VALVE TO BE BLOWN OFF WHICH CAN RESULT IN SEVERE INJURY, DEATH, OR PROPERTY DAMAGE
- ⚠ TURN PUMP OFF BEFORE CHANGING VALVE POSITION.
- ⚠ TO PREVENT DAMAGE TO THE PUMP AND FOR PROPER OPERATION OF THE SYSTEM, CLEAN PUMP STRAINER AND SKIMMER BASKETS REGULARLY.
- ⚠ DO NOT UNSCREW SCREWS OF FLANGE CLAMP WHILE PUMP IS RUNNING.

- * 沙缸操作时会在高压下运作。当其中一部份打开(接合, 水泵, 沙缸, 阀门等等)需要修理, 空气便能进入系统内而改变大气压力, 使而气压导致外壳或阀门等爆炸, 造成受伤或环境破坏, 因此沙缸运行时请勿扭动缸头上的螺丝。
- * 转换阀门功能制时, 先停止水泵的运作。
- * 防止水泵受损, 要定期清理水泵内的隔发器和池面撇渣器内的垃圾。
- * 当水泵开动时不要扭开面盖螺母。

FUNCTION 功能简介

Cartridge filtration is an effective trouble-free proven method of filtration. Pool water enters the filter and passes through a polyester single element cartridge. Suspended particles are trapped and the water is returned to the pool. As the build-up of dirt in the element increases, so the water pressure rises and the flow decreases. When the pressure reaches an unacceptable level, the element must be removed and cleaned (spray washing with a common garden hose is generally sufficient)

纸芯过滤是一种即方便且有效的过滤方法, 当池水通过过滤器的纸芯, 水中的浮游物便阻隔在纸芯当中, 而干净的水便流回池中。随着纸芯使用日久, 污物积累在纸芯上, 使缸内的压力变大, 而流量减少, 而在压力超标时, 便要取出纸芯做清洗(一般可用清水射在纸芯上, 把污物冲去便可)。

INSTALLATION AND OPERATION INSTRUCTIONS 安装及操作指引

LOCATION

The filter should be placed in its permanent location, preferably as close to the pool or spa as practicable. Position the filter tank and pump on a level concrete slab or similar base. Allow sufficient space around the filter for routine maintenance and provide for adequate ventilation and drainage.

Place the pump in position on the slab and locate the filter alongside with the appropriate pump inlet connection orientated towards the pump. Refer to the 'Specifications' section for the minimum clearance measurements required for each model.

安装位置

应选择一个可长期放置的地方摆放过滤器，一般放置于池的旁边，并将过滤器和水泵一同放在坚硬和平坦的地上，再预留足够的位置给予管道安装及保养维修。

ASSEMBLY

1) Pump to filter

EMAUX cartridge filters are equipped with two inlet ports marked 'INLET'. Select the inlet port most suitable for the installation and plug the other inlet port with blanking cap provided. Using quick connect couplings, connect the pool pump delivery piping to the selected inlet port couplings, connect the pool pump delivery piping to the selected inlet port. Tighten by hand only. Ensure the 'O'ring lubricant and in the correct position.

2) Filter to pool Return

Using quick connect couplings, connect the pool return piping to the filter fitting marked 'OUTLET'. Tighten the fitting by hand only. Ensure the 'O'ring on the fitting is clean, lubricated with 'O'ring lubricant and in the correct position.

The filter base is provided with four mounting holes to enable it to be secured, if required.

安装

1) 水泵与过滤器的连接

意万仕过滤器备有两个“进水口”，选择一个适当的进水口，利用管道连接到水泵的出水口。而另外一个进水口可用已提供的帽盖密封。过滤器带有管接头作接驳管道之用。请确保管接头上的胶圈带有润滑油，并放于正确的位置，然后用手将管接头螺母锁紧便可。

2) 过滤器与池的连接

在过滤器的出水口用管接头连接到池回水的管道，确保管接头上的胶圈带有润滑油，并放于正确的位置，然后用手将管接头螺母锁紧便可。
过滤器的底座设有四个孔，可将其固定在地上。

FILTER OPERATION

- 1) Make sure the pump is primed according to manufacturer's directions.
- 2) Be sure all valves are open on suction and discharge lines. Ensure the air bleed valve on the filter lid is open. And the lid lock ring is in place and secure.
- 3) Start the pump. Close the air bleed valve when water is expelled.
- 4) To determine the correct operating conditions with a clean filter, check that the pressure gauge reading is 80kpa or below.
- 5) Record the pressure gauge reading or mark the needle position on the face of the pressure gauge.
- 6) Operate the filter for a sufficient time to circulate the total pool water volume daily. The filter should also be operated at all times the pool is in use and for about one hour afterwards. During winter, the running time may be reduced. Filter operating requirements will vary for spa Applications. Depending upon the system design, type and size of spa. Consult your builder or spa supplier.
- 7) When the pressure gauge reading is 50-70kpa higher than the 'clean filter' reading as in (4) above, it is time to clean the cartridge element (see 'Cartridge Cleaning Procedure')

过滤的操作

- 1) 确保连接到“自吸”型的水泵上。
- 2) 确保进水管和出水管的活阀已开启，面盖上的排气阀已扭开，面盖螺母已锁紧。
- 3) 启动水泵，关上排气阀当水注满缸内。
- 4) 当过滤器在正常状态下和清洁的状态下动作时，气压上应显示80Kpa或低于80Kpa。
- 5) 将首次启用的气压记录下来。
- 6) 每天启动过滤系统并给予足够的时间，去循环整个池水的份量，如泳池在使用中，过滤系统应保持开启直至泳池使用后的一小时，系统的启用要求应配合池的设计，类别和大小，最好先咨询泳池建筑商。
- 7) 当过滤器的压力高于首次运作的50-70Kpa，便表示要清洗过滤器及纸芯。

CARTRIDGE CLEANING PROCEDURE

When the filter gauge reading is 50-70kpa above the clean filter gauge reading cleaning the single element cartridge is required. To perform the cleaning procedures.

- 1) Switch off the pump.
- 2) Close isolating valves on suction and discharge lines where fitted.
- 3) Open the air bleed valve on the filter lid. unscrew the lock ring and remove the filter lid.
- 4) Lift out the cartridge element.

纸芯清洗程序

- 1) 关闭水泵
- 2) 关闭进水管和出水管的阀门
- 3) 开启排气阀，扭开面盖螺母及打开面盖
- 4) 取出纸芯并用清水冲洗

NOTE

Algae, calcium, clay, suntan oil and body oils can form a coating on the element which may not be easily removed with normal hosing. These materials can be removed by soaking the element in a de-greaser and/or descaler. Your local EMAUX dealer will be able to recommend suitable products.

注意

水藻，钙，泥土，太阳油等物质可能会凝结在纸芯的表面，这些物质是不容易被冲洗的。应把纸芯浸泡在去油液中，待化解油脂后再冲洗。

CARTRIDGE RE-ASSEMBLY INSTRUCTION

- 1) Install the cartridge/s and center pipe so that it is located in the bottom spigot.
- 2) Ensure the filter lid 'O' ring is clean, lubricated with 'O' ring lubricant and located in the bottom groove.
- 3) Replace the lid and press firmly in place. Screw down the lock ring, hand tight is sufficient-DO NOT OVERTIGHTEN.

纸芯的安装

- 1) 过滤器的底座备有栓位，用于安装中心管。将中心管安装妥当后便可装上纸芯。
- 2) 检查及确保面盖胶圈是干净及涂上润滑剂，便放置在缸上的胶圈槽里。
- 3) 将面盖正确地放在缸上，并用螺母锁上。用双手锁紧便可，切勿锁得过紧。